

Data Sheet

Dishwasher Front loading

Jemi Simply
built to last

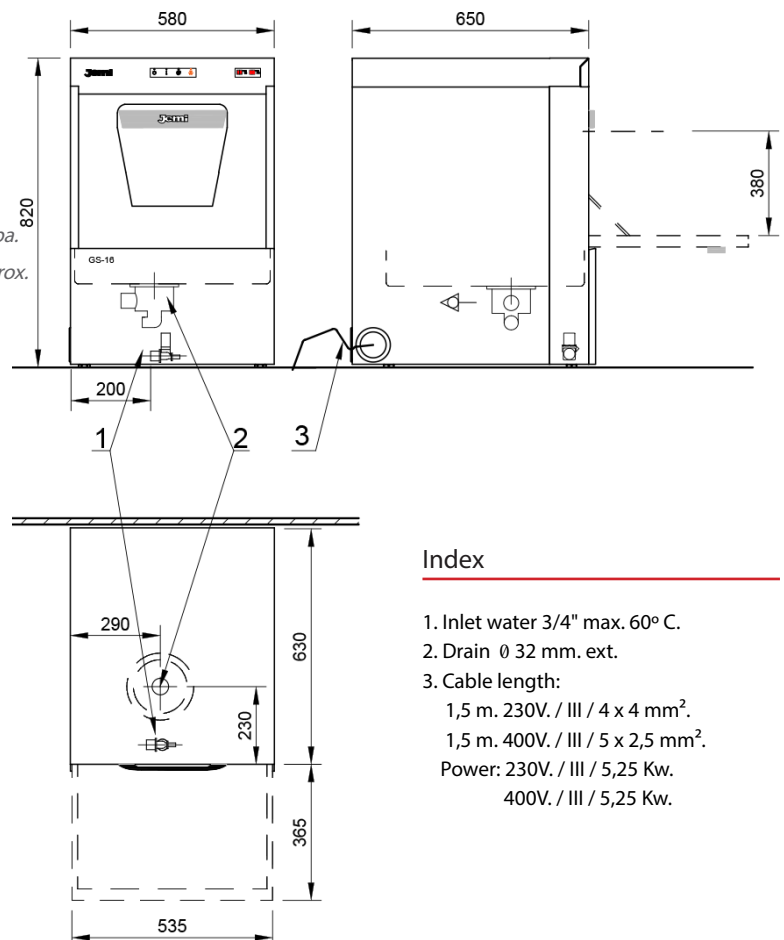
Professional Dishwashing
and Cooking Equipment

Selva de Mar, 122-128
08020 Barcelona, España
Tel. 0034 93 308 31 54
Fax. 0034 93 303 38 73
jemi@jemi.es
www.jemi.es

Mod. GS-19 *Premium line*

Characteristics

External dimensions	580 x 650 x 820 mm.
Weight	54 Kg.
Dimensions of rack	500 x 500 mm.
Output racks / hour	30
Output glasses / hora	1440 glasses / 480 plates
Usable height	380 mm.
Total power	5,25 Kw. three-phase
Wash pump power	0,74 Kw. 250l / hour
Boiler element heater	4,5 Kw. three-phase
Tank element heater	4,5 Kw. three-phase
Voltage	400 V. / III / 50-60 Hz. 230 V. / III / 50-60 Hz.
Wash cycle	2 minutes
Water consumption by rinsing	2,3 litres
Wash tank	25,5 litres
Boiler capacity	4 litres
upper wash arms	3
Lower wash arms	4
Numbers of jets	42
Ø Jets	Ø 5 mm.
Rinse jets upper	6
Rinse jets bottom	8
Water inlet	3/4"
Pressure for the water supply	2-4 bars. 200-400 Kpa.
Required flow	30 litres/ minute aprox.



Index

1. Inlet water 3/4" max. 60° C.
2. Drain Ø 32 mm. ext.
3. Cable length:
1,5 m. 230V. / III / 4 x 4 mm².
1,5 m. 400V. / III / 5 x 2,5 mm².
Power: 230V. / III / 5,25 Kw.
400V. / III / 5,25 Kw.

