

Technical Sheet

Jemi Simply built to last

Professional Dishwashing and Cooking Equipment

Cookers 600 EV Series Gas cookers and tops Efficient Line

Selva de Mar, 122-128
08020 Barcelona, España
Tel. 0034 93 308 31 54
Fax. 0034 93 303 38 73
jemi@jemi.es
www.jemi.es

Mod. 614 EV

Characteristics

External dimensions 800 x 600 x 260 mm.

Weight 85 Kg.

Gas consumption Hi (15°C 1013,25 mbar)

Natural gas H G20 Hi = 34.02 MJ / m³ 2,02

G.P.L. G30 / G31 Hi = 45.65MJ / kg 1,89

Burners 2 ø 90 mm.

2 ø 120 mm.

Burner power ø 90 mm. 3,6 Kw. / 3.010 Kcal/h.

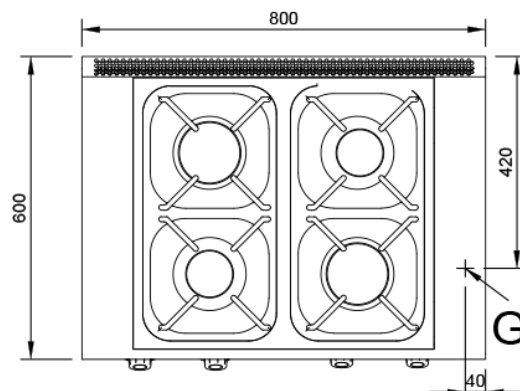
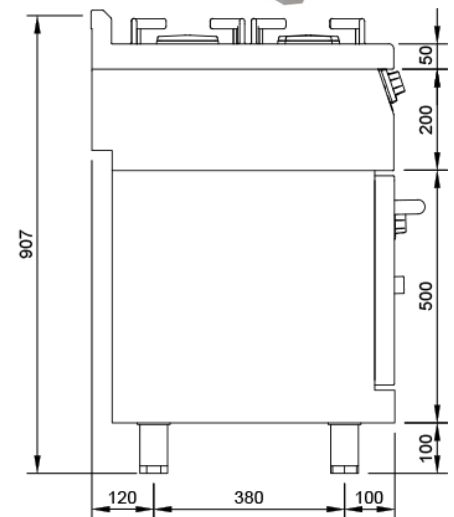
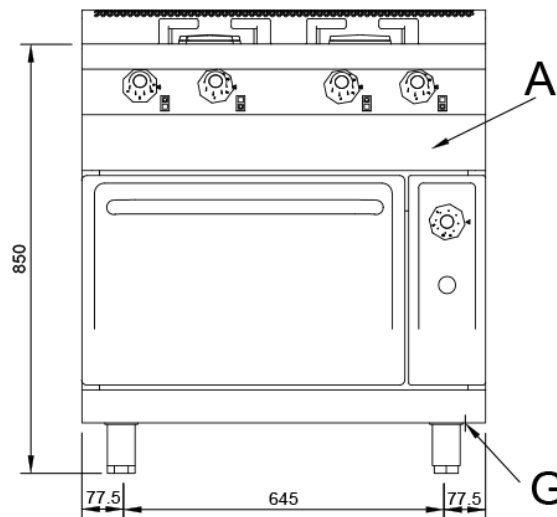
Burner power ø 120 mm. 6,6 Kw. / 5.590 Kcal/h.

Burner oven power 3,84 Kw. / 3.300 Kcal/h.

Oven dimensions 530 x 445 x 330 mm.

Gas inlet 1/2"

Nominal power 24.4 Kw.



Index

A. Characteristics plate (inside panel)

G. Gas inlet 1/2"
Power: 24,4 Kw.
20.844 Kcal/h.

