

# Technical Sheet

**Jemi** Simply built to last

Professional Dishwashing and Cooking Equipment

## Cookers 600 EV Series Electric cookers and tops

Selva de Mar, 122-128  
08020 Barcelona, España  
Tel. 0034 93 308 31 54  
Fax. 0034 93 303 38 73  
jemi@jemi.es  
www.jemi.es

### Mod. 614E EV

#### Characteristics

External dimensions 800 x 600 x 850 mm.

Weight 85 Kg.

Dimensions electric plates 3 Ø 180 mm.  
1 Ø 220 mm.

Power plates Ø 180 mm. 2 Kw.

Power plate Ø 220 mm. 2,6 Kw.

Oven power 6 Kw.

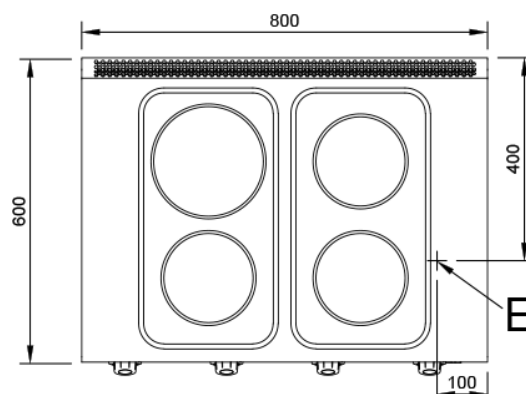
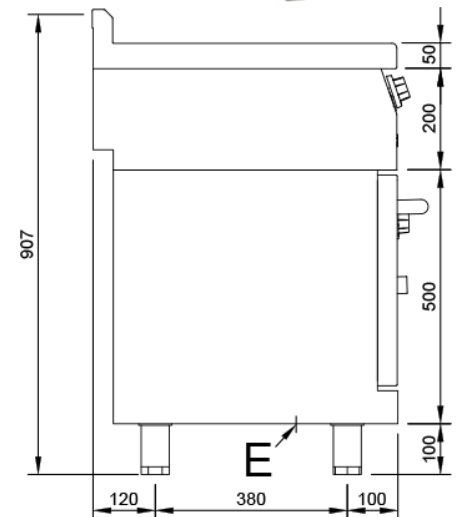
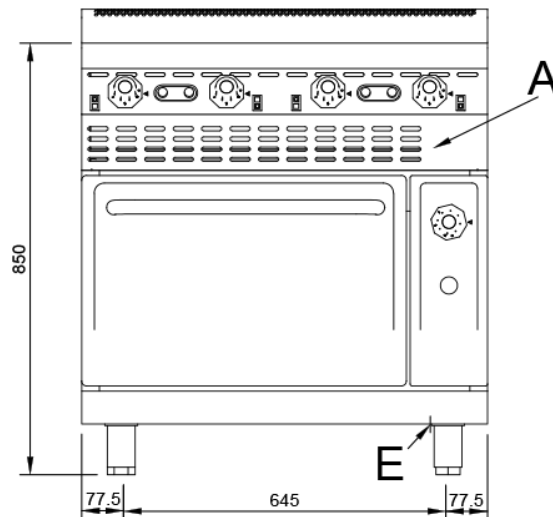
3 Kw. lower

3Kw. above

Oven dimensions 530 x 445 x 330 mm.

Voltage 400V. III + T

Electric power 14,6 Kw.



#### Index

- A. Characteristics plate (inside panel)
- E. Electric inlet 400V. III + T.  
Power: 14,6 Kw.

