

Technical Sheet

Cookers 600 EV Series Gas cookers and tops

Selva de Mar, 122-128
08020 Barcelona, España
Tel. 0034 93 308 31 54
Fax. 0034 93 303 38 73
jemi@jemi.es

Mod. 625 EV

Characteristics

External dimensions 800 x 600 x 850 mm.

Weight 85 Kg.

Gas consumption Hi (15°C 1013,25 mbar)

Natural gas H G20 Hi = 34.02 MJ / m³ 1,63

G.P.L. G30 / G31 Hi = 45.65MJ / kg 1,34

Burners 1 ø 150 mm.

1 ø 120 mm.

Burner power ø 150 mm. 8,4 Kw. / 7.200 Kcal/h.

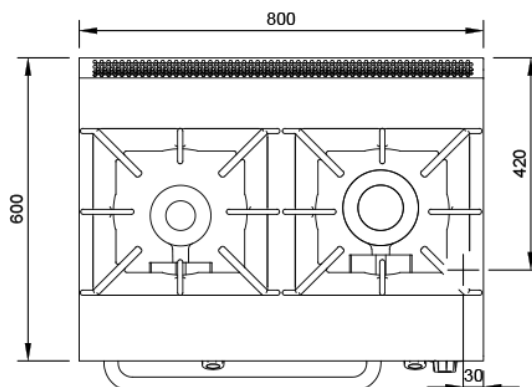
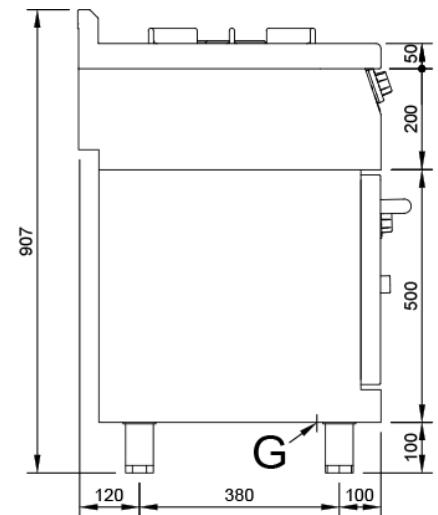
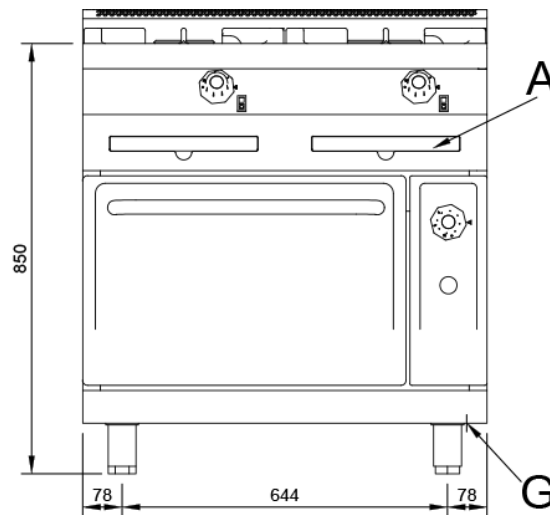
Burner power ø 120 mm. 7,4 Kw. / 6.300 Kcal/h.

burner oven power 3,84 Kw. / 3.300 Kcal/h.

Oven dimensions 530 x 445 x 330 mm.

Gas inlet 1/2

Nominal power 19,54 Kw.



Index

A. Characteristics plate
(inside panel)

G. Gas inlet 1/2".
Power: 19,54 Kw.
16.800 Kcal/h.

