

Technical Sheet

Jemi Simply built to last

Professional Dishwashing and Cooking Equipment

Cookers 750 EV Series Gas cookers and tops *Efficient Line*

Selva de Mar, 122-128
08020 Barcelona, España
Tel. 0034 93 308 31 54
Fax. 0034 93 303 38 73
jemi@jemi.es
www.jemi.es

Mod. 714 EV

Characteristics

External dimensions 800 x 750 x 850 mm.

Weight 104 Kg.

Gas consumption Hi (15°C 1013,25 mbar)

Natural gas H G20 Hi = 34.02 MJ / m³ 2,12

G.P.L. G30 / G31 Hi = 45.65MJ / kg 1,99

Burners 2 ø 90 mm.

2 ø 120 mm.

Burner power ø 90 mm. 3,6 Kw. / 3.010 Kcal/h.

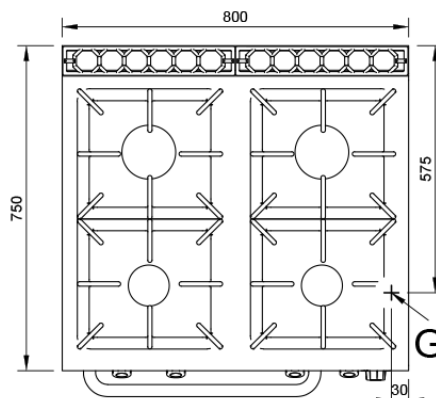
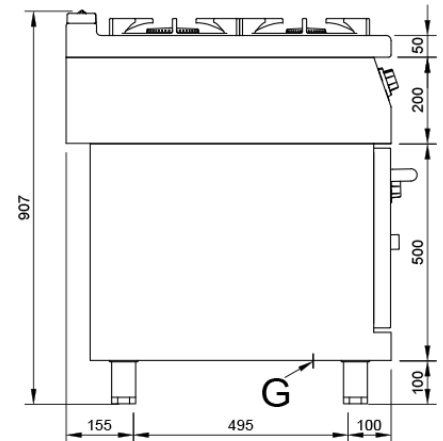
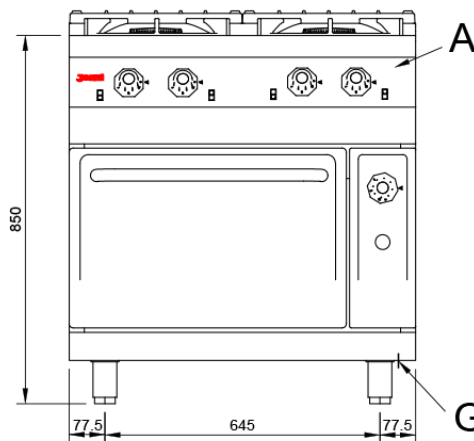
Burner power ø 120 mm. 6,6 Kw. / 5.590 Kcal/h.

burner oven power 5,35 Kw. / 4.300 Kcal/h.

Oven dimensions 530 x 605 x 330 mm.

Gas inlet 3/4"

Nominal power 25.4 Kw.



Index

A. Characteristics plate
(inside panel)

G. Gas inlet 3/4"
Power: 25,4 Kw.
21.844 Kcal/h.

