

# Technical Sheet

## Cookers 750 EV Series Electric cookers and tops

**Jemi** Simply built to last

Professional Dishwashing  
and Cooking Equipment

Selva de Mar, 122-128  
08020 Barcelona, España  
Tel. 0034 93 308 31 54  
Fax. 0034 93 303 38 73  
jemi@jemi.es  
www.jemi.es

### Mod. 741E EV

#### Characteristics

External dimensions 800 x 750 x 850 mm.

Weight 104 Kg.

Dimensions electric plates 300 x 300 mm.

Power plates Two of 2,6 Kw.

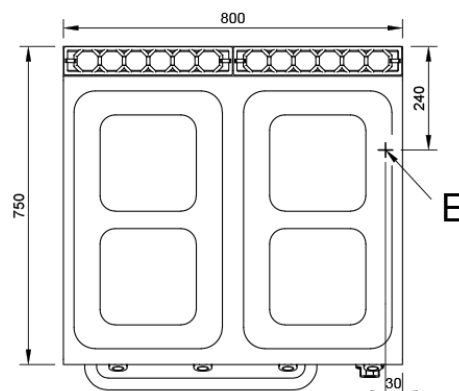
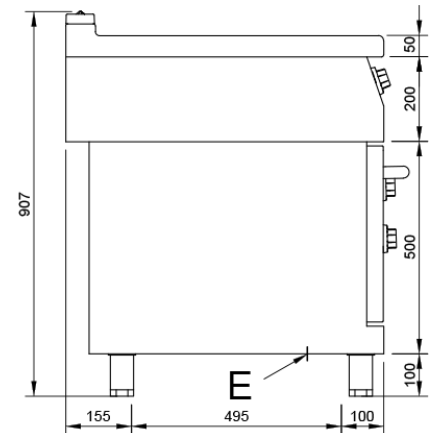
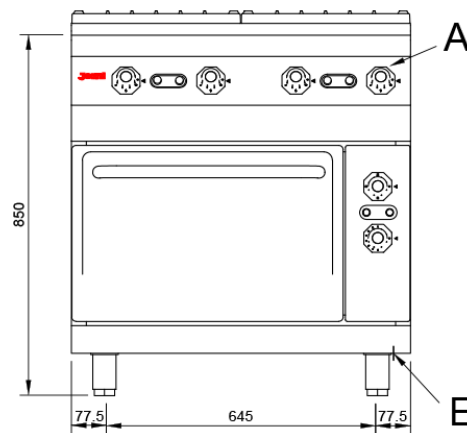
Two of 2 Kw.

Oven power 6 Kw.

Oven dimensions 530 x 605 x 330 mm.

Voltage 400V. III + T

Electric power 15,2 Kw.



#### Index

- A. Characteristics plate (inside panel)
- E. Electric inlet 400V. III + T. Power: 15,2 Kw.

