

Technical Sheet

Jemi Simply built to last

Professional Dishwashing and Cooking Equipment

Cookers 750 EV Series Cookers with water chamber CHEF

Selva de Mar, 122-128
08020 Barcelona, España
Tel. 0034 93 308 31 54
Fax. 0034 93 303 38 73
jemi@jemi.es
www.iemi.es

Mod. 761 CHEF EV

Characteristics

Externals dimensions 1200 x 750 x 850 mm.
Weight 140 Kg.

Gas consumption Hi (15°C 1013,25 mbar)

Natural gas H G20 Hi = 34.02 MJ / m³ 4,09

G.P.L. G30 / G31 Hi = 45.65MJ / kg 3,29

Burners 6 out of ø 120 mm.

Burner power ø 120 mm. 7,4 Kw. / 6.300 Kcal/h.

Oven power 5 Kw. / 4.300 Kcal/h.

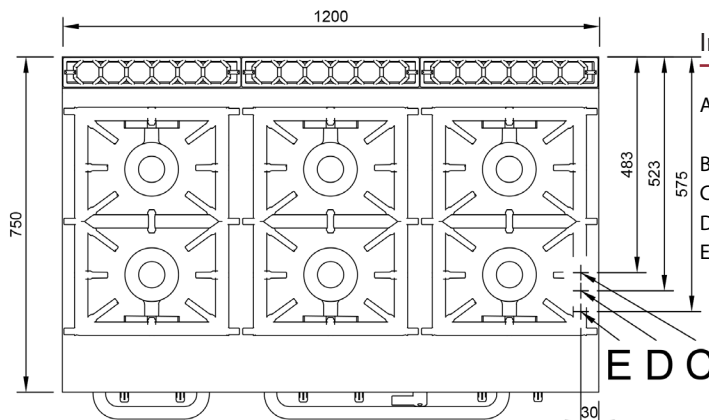
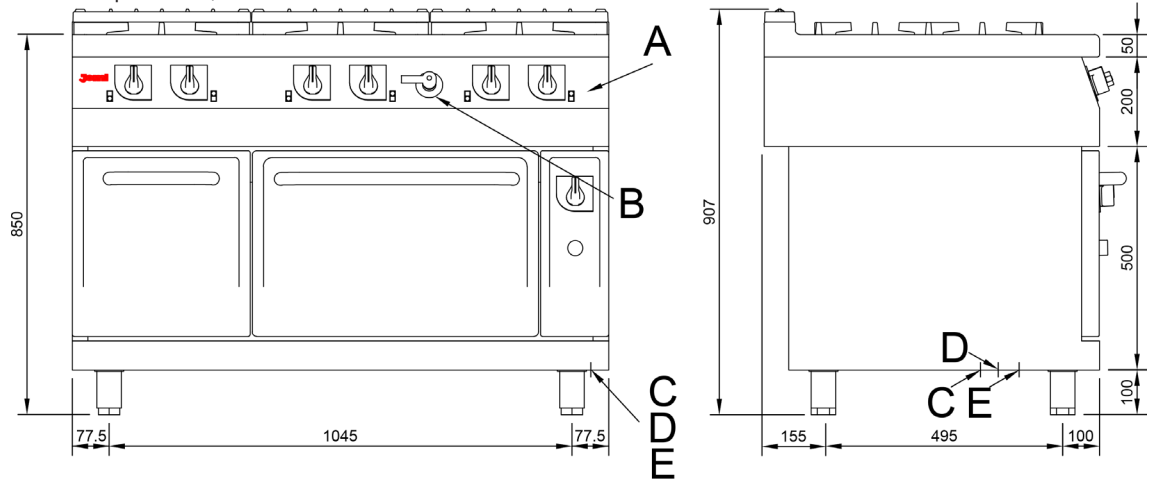
Oven dimensions 530 x 605 x 330 mm.

Gas inlet 3/4"

Water inlet 1/2"

Drain 1"

Nominal power 49,4 Kw.



Index

- A. Characteristics plate (inside panel)
- B. Filling faucet
- C. Water inlet 1/2"
- D. Drain 1"
- E. Gas inlet 3/4".
Power: 49,4 Kw.
42.100 Kcal/h.

