

Technical Sheet

Jemi Simply built to last

Professional Dishwashing and Cooking Equipment

Cookers 750 EV Series Gas cookers and tops

Selva de Mar, 122-128
08020 Barcelona, España
Tel. 0034 93 308 31 54
Fax. 0034 93 303 38 73
jemi@jemi.es
www.jemi.es

Mod. 761 EV

Characteristics

External dimensions 1200 x 750 x 850 mm.

Weight 140 Kg.

Gas consumption Hi (15°C 1013,25 mbar)

Natural gas H G20 Hi = 34.02 MJ / m³ 4,09

G.P.L. G30 / G31 Hi = 45.65MJ / kg 3,29

Burners 6 of ø 120 mm.

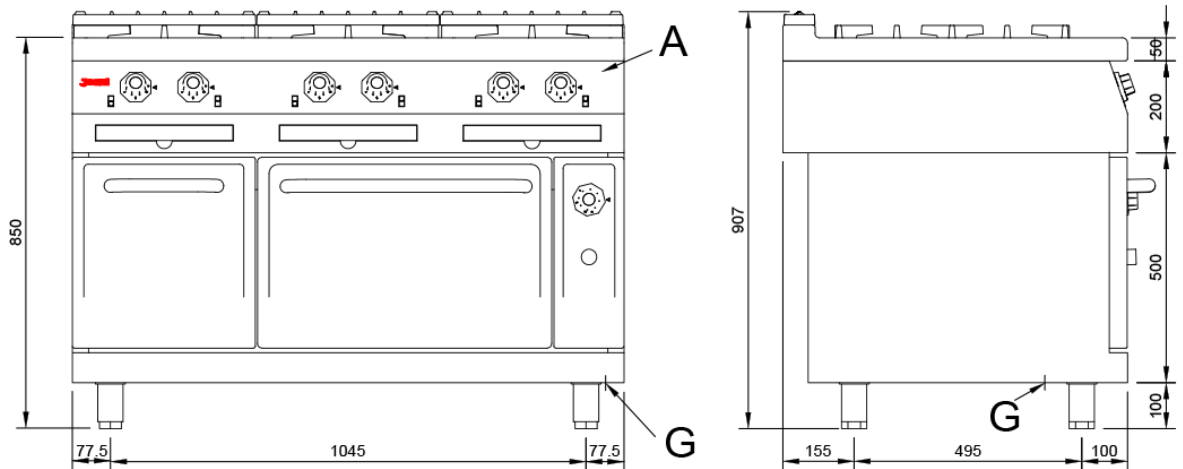
Burner power ø 120 mm 7,4 Kw. / 6.300 Kcal/h.

Burner power oven 5 Kw. / 4.300 Kcal/h.

Dimensions oven 530 x 605 x 330 mm.

Gas inlet 3/4"

Nominal power 48.95 Kw.



Index

A. Characteristics plate
(inside panel)

G. Inlet gas 3/4".

Power: 48,95 Kw.

42.100 Kcal/h.

