

Technical Sheet

Jemi Simply built to last

Professional Dishwashing
and Cooking Equipment

Cookers 600 EV Series Gas Fry-Top Quick griddles

Selva de Mar, 122-128
08020 Barcelona, España
Tel. 0034 93 308 31 54
Fax. 0034 93 303 38 73
jemi@jemi.es
www.jemi.es

Mod. FRT60 P/63VT EV

Characteristics

External dimensions 400 x 600 x 850 mm.

Weight 60 Kg.

Gas consumption Hi (15°C 1013,25 mbar)

Natural gas H G20 Hi = 34.02 MJ / m³ 0,67

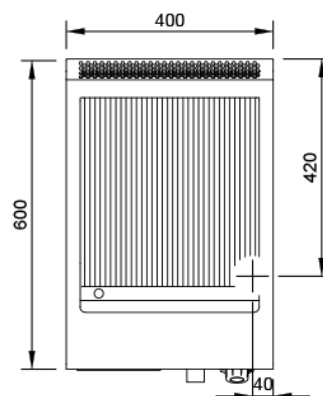
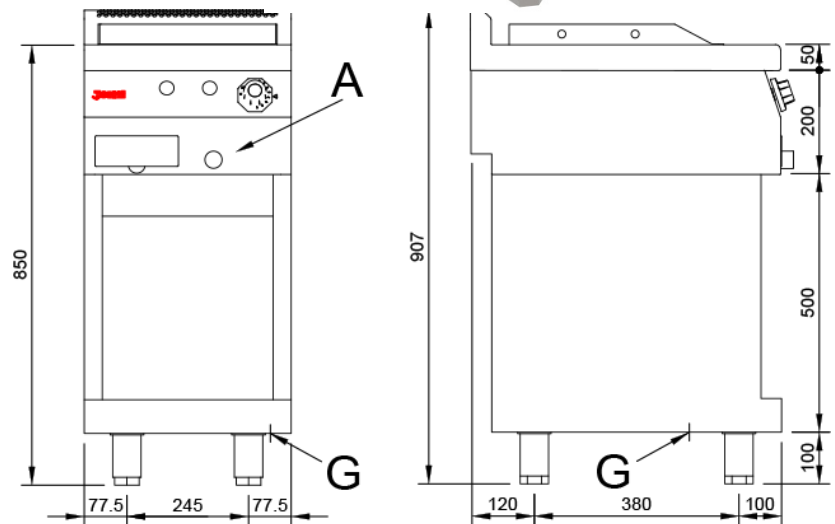
G.P.L. G30 / G31 Hi = 45.65MJ / kg 0,59

Useful area 341 x 394 x 12 mm.

Surface type Grooved (CHROME PLATE)

Gas inlet 1/2"

Nominal power 8,02 Kw.



Index

- A. Characteristics plate
(inside panel)
- G. Gas inlet 1/2"
Power: 8,02 Kw.
6.900 Kcal/h.

