

Technical Sheet

Cookers 600 EV Series Gas Fry Top Quick griddles

Selva de Mar, 122-128
08020 Barcelona, España
Tel. 0034 93 308 31 54
Fax. 0034 93 303 38 73
jemi@jemi.es
www.jemi.es

Mod. FRT62 P/68 EV

Characteristics

External dimensions 800 x 600 x 850 mm.

Weight 130 Kg.

Gas consumption Hi (15°C 1013,25 mbar)

Natural gas H G20 Hi = 34.02 MJ / m³ 1,34

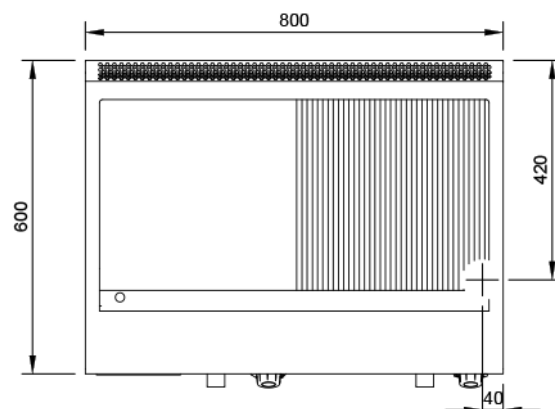
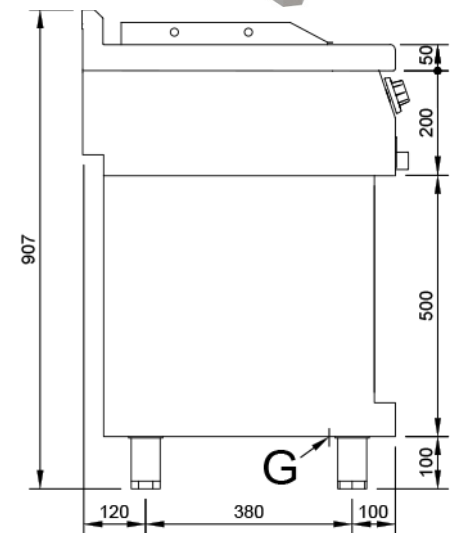
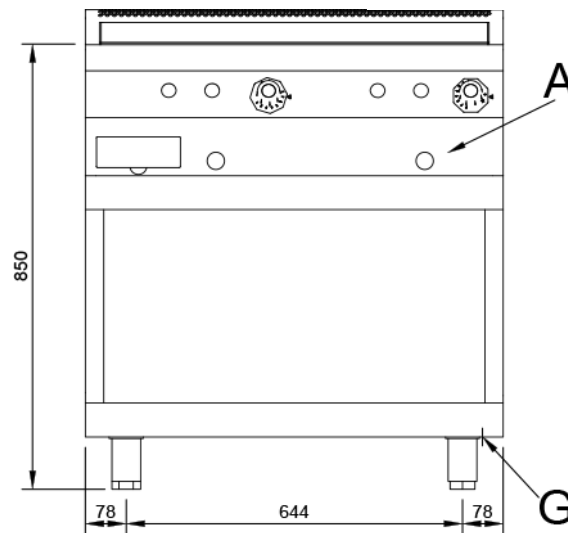
G.P.L. G30 / G31 Hi = 45.65 MJ / kg 1,18

Useful area 741 x 394 x 12 mm.

Surface type 1/2 Grooved (IRON)

Gas inlet 1/2"

Nominal power 16 Kw.



Index

- A. Characteristics plate (inside panel)
- G. Gas inlet: 1/2"
Power: 16 Kw.
13.800 Kcal/h.

