

# Technical Sheet

## Cookers 600 EV Series Electric Fry-Top Quick griddles

**Jemi** Simply built to last

Professional Dishwashing  
and Cooking Equipment

Selva de Mar, 122-128  
08020 Barcelona, España  
Tel. 0034 93 308 31 54  
Fax. 0034 93 303 38 73  
jemi@jemi.es  
www.jemi.es

### Mod. FRTE60 P/61VT EV

#### Characteristics

External dimensions 400 x 600 x 850 mm.

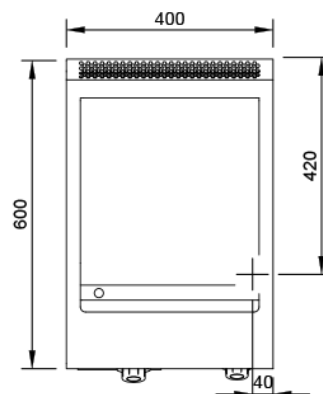
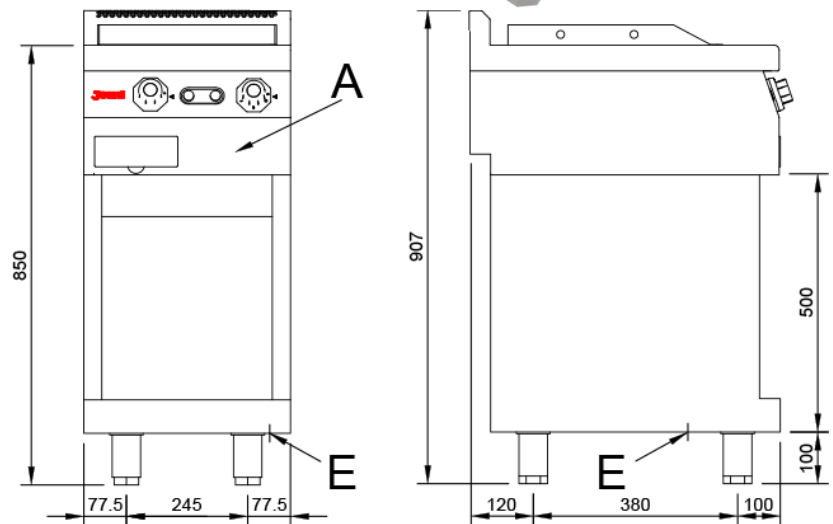
Weight 60 Kg.

Useful area 341 x 394 x 12 mm.

Surface type Smooth (CHROME PLATE)

Voltage 400V. III + N + T.

Electric power 4,8 Kw.



#### Index

- A. Characteristics plate (inside panel)
- E. Electric inlet 400V. III + N + T. Power: 4,8 Kw.

