

Technical Sheet

Cookers 600 EV Series Electric Fry-Top Quick griddles

Jemi Simply built to last

Professional Dishwashing
and Cooking Equipment

Selva de Mar, 122-128
08020 Barcelona, España
Tel. 0034 93 308 31 54
Fax. 0034 93 303 38 73
jemi@jemi.es
www.jemi.es

Mod. FRTE60 P/62 EV

Characteristics

External dimensions 400 x 600 x 850 mm.

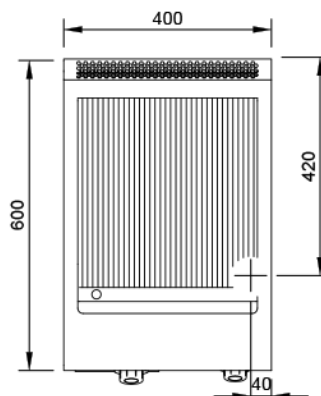
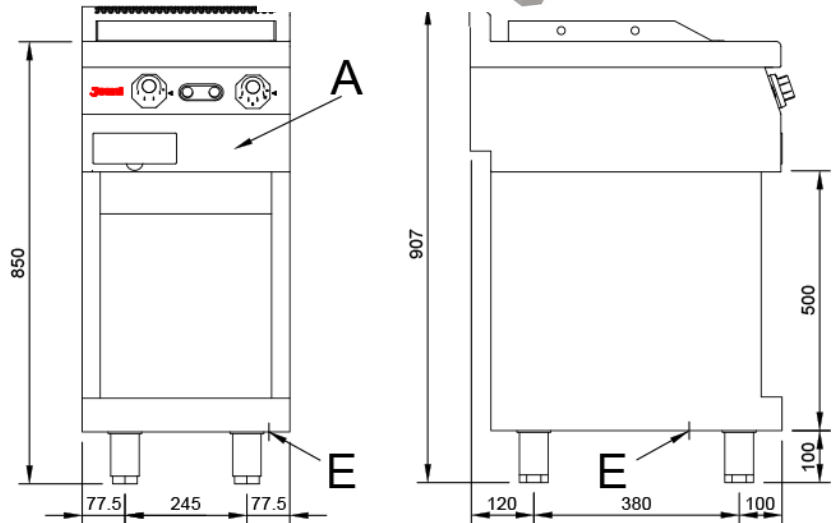
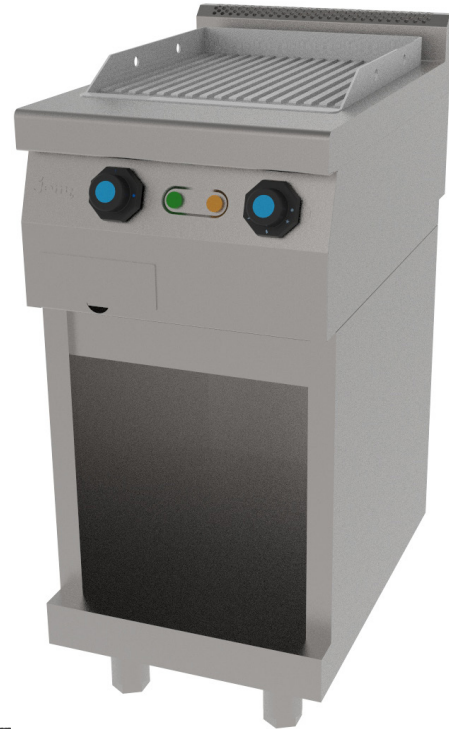
Weight 60 Kg.

Useful area 341 x 394 x 12 mm.

Surface type Grooved (IRON)

Voltage 400V. III + N + T.

Electric power 4,8 Kw.



Index

- A. Characteristics plate
(inside panel)
- E. Electric inlet 400V. III + N + T.
Power: 4,8 Kw.

