

Data Sheet

Dishwasher Front loading

Jemi Simply built to last

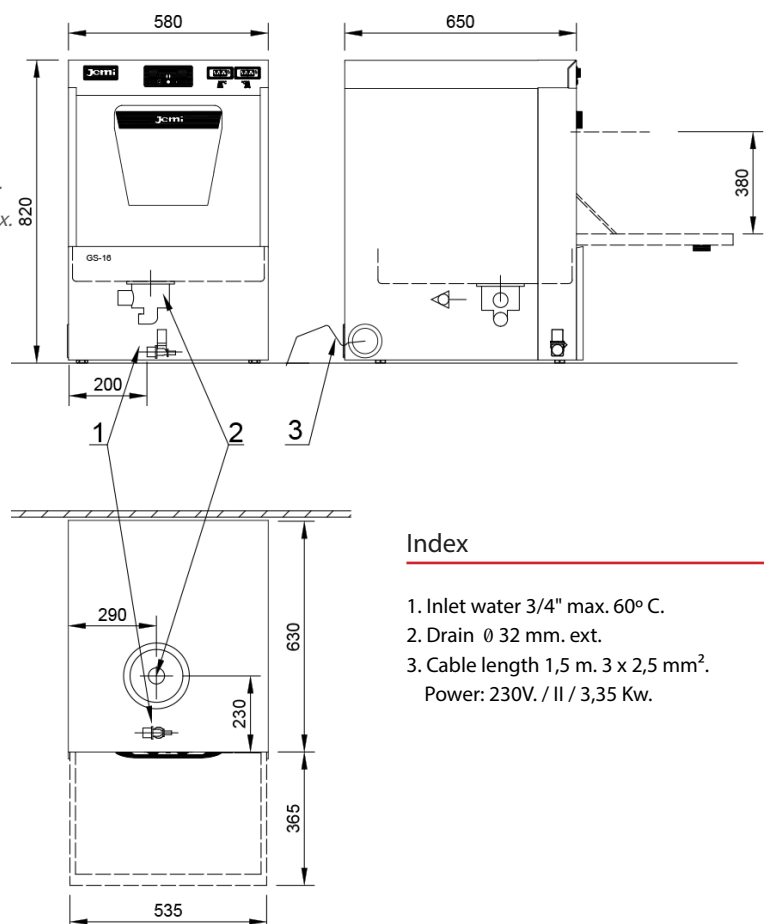
Professional Dishwashing
and Cooking Equipment

Selva de Mar, 122-128
08020 Barcelona, España
Tel. 0034 93 308 31 54
Fax. 0034 93 303 38 73
jemi@jemi.es
www.jemi.es

Mod. GS-16 *Efficient line*

Characteristics

External dimensions	580 x 650 x 820 mm.
Weight	54 Kg.
Dimensions of rack	500 x 500 mm.
Output racks / hour	30
Output glasses / hora	1440 glasses / 480 plates
Usable height	380 mm.
Total power	3,35 Kw. monophase
Wash pump power	0,74 Kw. 250l / hour
Boiler element heater	2,6 Kw. monophase
Tank element heater	2,4 Kw. monophase
Voltage	230 V. / II / 50-60 Hz.
Wash cycle	2 minutes
Water consumption by rinsing	2,3 litres
Wash tank	25,5 litres
Boiler capacity	4 litres
upper wash arms	3
Lower wash arms	4
Numbers of jets	42
Ø Jets	Ø 5 mm.
Rinse jets upper	6
Rinse jets bottom	8
Water inlet	3/4"
Pressure for the water supply	2-4 bars. 200-400 Kpa.
Required flow	30 litres/ minute aprox.
Drain	Ø ext. valve 28 mm.



Index

1. Inlet water 3/4" max. 60° C.
2. Drain Ø 32 mm. ext.
3. Cable length 1,5 m. 3 x 2,5 mm².
Power: 230V. / II / 3,35 Kw.

