

Data Sheet

Jemi Simply built to last

Professional Dishwashing and Cooking Equipment

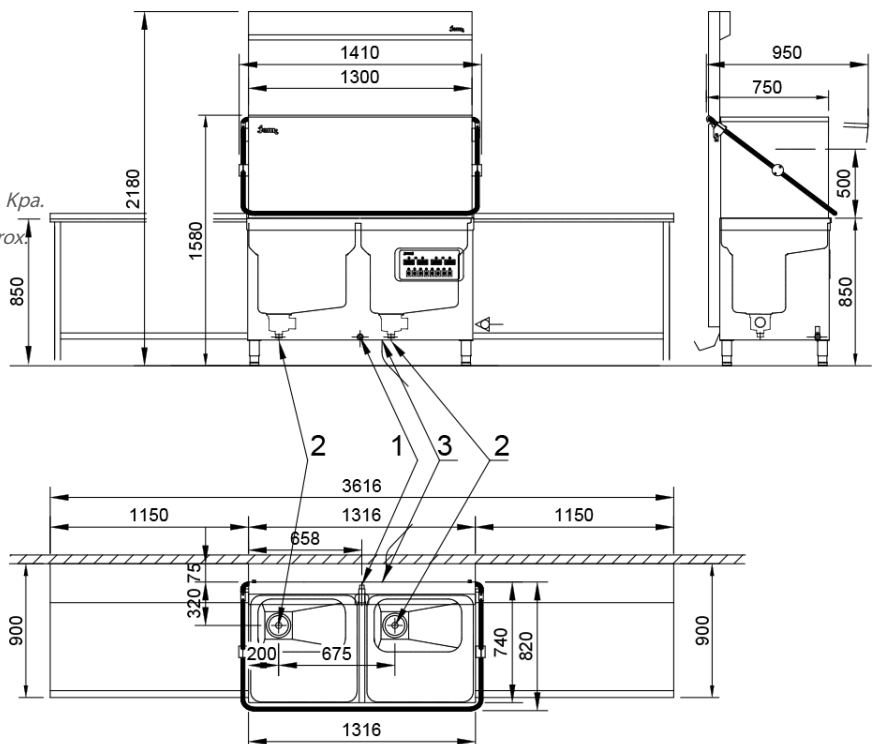
Selva de Mar, 122-128
08020 Barcelona, España
Tel. 0034 93 308 31 54
Fax. 0034 93 303 38 73
jemi@jemi.es
www.jemi.es

Washing Pass Through

Mod. GS-105 M E.P.S.

Characteristics

Externals dimensions	1410 x 850 x 2180 mm.
Weight	205 Kg.
Dimensions of racks	2 of 500 x 500 mm. 1 of 1210 x 500 mm.
Output racks hour	60 / 120
Production hour	1280 / 1920 plates
Usable height	500 mm.
Total power	15 Kw.
Wash pump power	2 x 1,5 Kw. 2 x 500 l/min.
Boiler element heater	2 x 6 Kw. Triphasic.
Tank element heater	2 x 6 Kw. Trifásic.
E.P.S. power	4 x 30W.
Voltage	400V. / III / 50-60Hz. 230V. / III / 50-60Hz.
Wash cycle	1 2 minutes
Water consumption by rinsing	2 x 3 litres
Wash tank	2 x 58 litres
Boiler capacity	2 x 8 litres
Numbers of wash arms upper	2 x 4
numbers of wash arms bottom	2 x 4
Numbers of jets	2 x 48
Ø Jets	Ø 6 mm.
Rinse jets upper	2 x 8
Rotating bottom	2 x 8
Water inlet	3/4"
Pressure for the water supply	2 - 4 bars / 200 - 400 Kpa.
Required flow	30 litres / minute aprox.



SAVING E.P.S.

The "APPLUS" testing laboratory certifies that the E.P.S. system has a consumption of 2,3 litres of water per wash while providing a saving of 1,48 Kw./h.

Additionally by not generating any kind of steam, the confort of working environments is improved.

Index

1. Water inlet 3/4" Cold water.
2. Drain Ø 50 mm.
3. Cable length 1,5 m.
230V. III 4 x 10 mm².
400V. III 5 x 6 mm².
Power: 15 Kw.

