

Data Sheet

Dishwasher Front loading

Jemi Simply
built to last

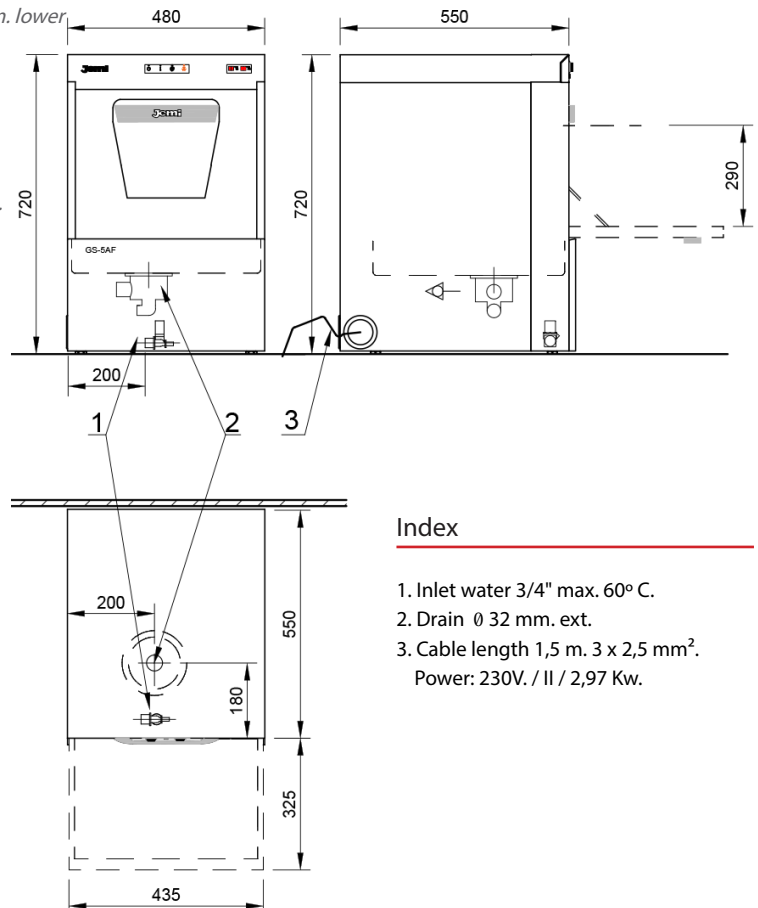
Professional Dishwashing
and Cooking Equipment

Selva de Mar, 122-128
08020 Barcelona, España
Tel. 0034 93 308 31 54
Fax. 0034 93 303 38 73
jemi@jemi.es
www.jemi.es

Mod. GS-6 AF *Premium line*

Characteristics

External dimensions	480 x 550 x 720 mm.
Weight	45 Kg.
Dimensions of rack	400 x 400 mm.
Output racks / hour	30
Output glasses / hora	1000 glasses / 350 plates
Usable height	290 mm.
Total power	2,97 Kw. monophase
Wash pump power	0,37 Kw. 190l / hour
Boiler element heater	2,6 Kw. monophase
Tank element heater	2,4 Kw. monophase
Voltage	230 V. / II / 50-60 Hz.
Wash cycle	2 minutes
Water consumption by rinsing	2,3 litres
Wash tank	17,5 litres
Boiler capacity	4 litres
upper wash arms	2
Lower wash arms	3
Numbers of jets	23
Ø Jets	Ø 6 mm. higher Ø 5 mm. lower.
Rinse jets upper	6
Rinse jets bottom	4
Water inlet	3/4"
Pressure for the water supply	2-4 bars. 200-400 Kpa.
Required flow	30 litres/ minute aprox.
Drain	Ø ext. valve 28 mm.



Index

1. Inlet water 3/4" max. 60° C.
2. Drain Ø 32 mm. ext.
3. Cable length 1,5 m. 3 x 2,5 mm².
Power: 230V. / II / 2,97 Kw.

