

Data Sheet

Jemi Simply built to last

Professional Dishwashing and Cooking Equipment

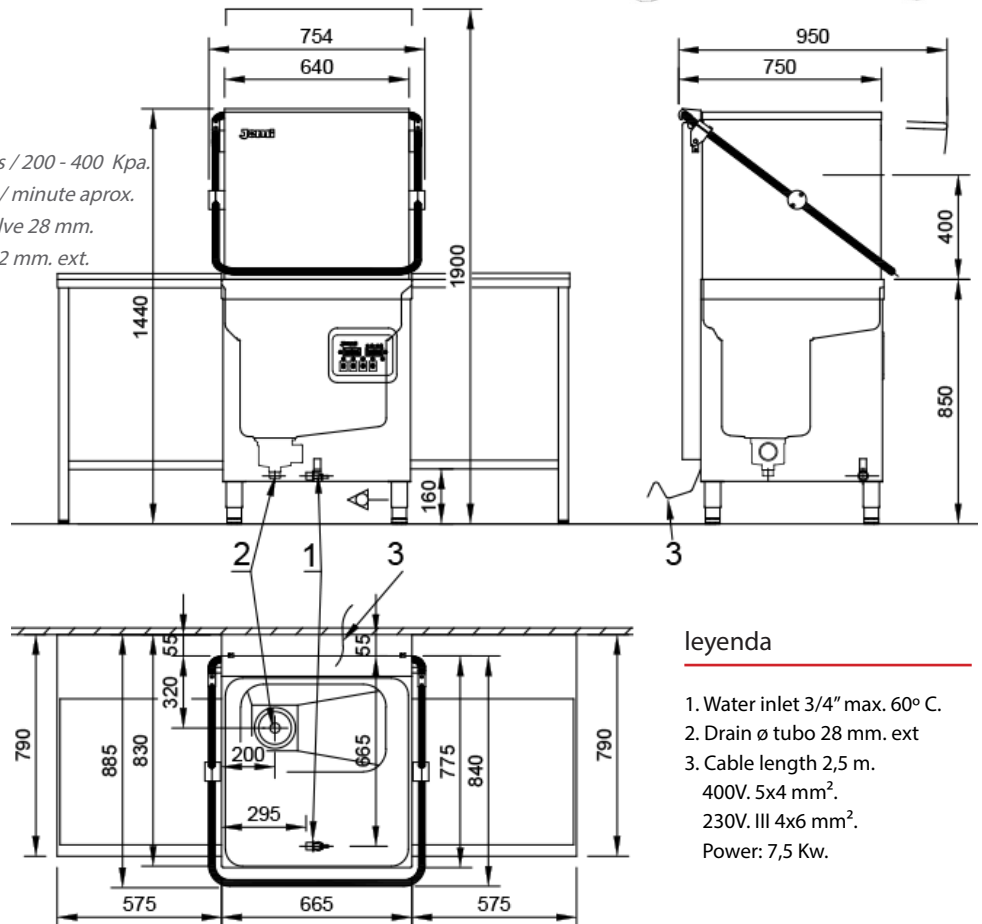
Washing Pass Through

Selva de Mar, 122-128
08020 Barcelona, España
Tel. 0034 93 308 31 54
Fax. 0034 93 303 38 73
jemi@jemi.es
www.jemi.es

Mod. GS-83 M

Characteristics

Externals dimensions	775 x 850 x 1440 mm.
Weight	125 Kg.
Dimensions of racks	500 x 500 mm.
Output racks hour	30
Output hour	640 / 960 plates
Usable height	400 mm.
Total power	7,5 Kw.
Wash pump power	1,5 Kw. 500 l./ min.
Boiler element heater	6 Kw. Triphasic.
Tank element heater	6 Kw. Trifásic.
Voltage	400V. / III / 50-60Hz. 230V. / III / 50-60Hz.
Wash cycle	1 / 2 min.
Water consumption by rinsing	2,4 / 2,6 litres
Wash tank	58 litres
Boiler capacity	8 litres
Numbers of wash arms upper	4
numbers of wash arms bottom	4
Numbers of jets	48
Ø Jets	Ø 6 mm.
Rinse jets upper	8
Rinse jets lower	8
Water inlet	3/4"
Pressure for the water supply	2 - 4 bars / 200 - 400 Kpa.
Required flow	30 litres / minute aprox.
Drain	Ø ext. valve 28 mm. Ø tube 32 mm. ext.



leyenda

1. Water inlet 3/4" max. 60° C.
2. Drain Ø tubo 28 mm. ext
3. Cable length 2,5 m.
400V. 5x4 mm².
230V. III 4x6 mm².
Power: 7,5 Kw.

