

Technical Sheet

Cookers 600 EV Series Gas lava rock grill

Jemi Simply built to last
Professional Dishwashing
and Cooking Equipment

Selva de Mar, 122-128
08020 Barcelona, España
Tel. 0034 93 308 31 54
Fax. 0034 93 303 38 73
jemi@jemi.es
www.jemi.es

Mod. PLG60/2 EV

Characteristics

External dimensions 800 x 600 x 850 mm.

Weight 102 Kg.

Gas consumption Hi (15°C 1013,25 mbar)

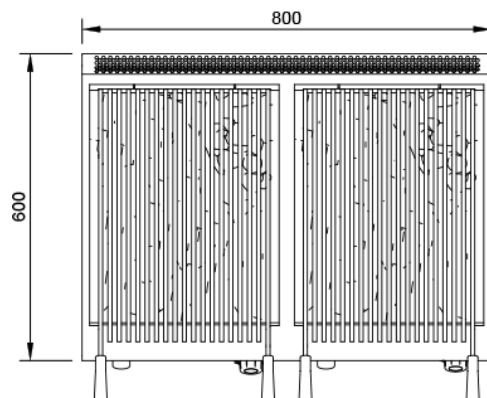
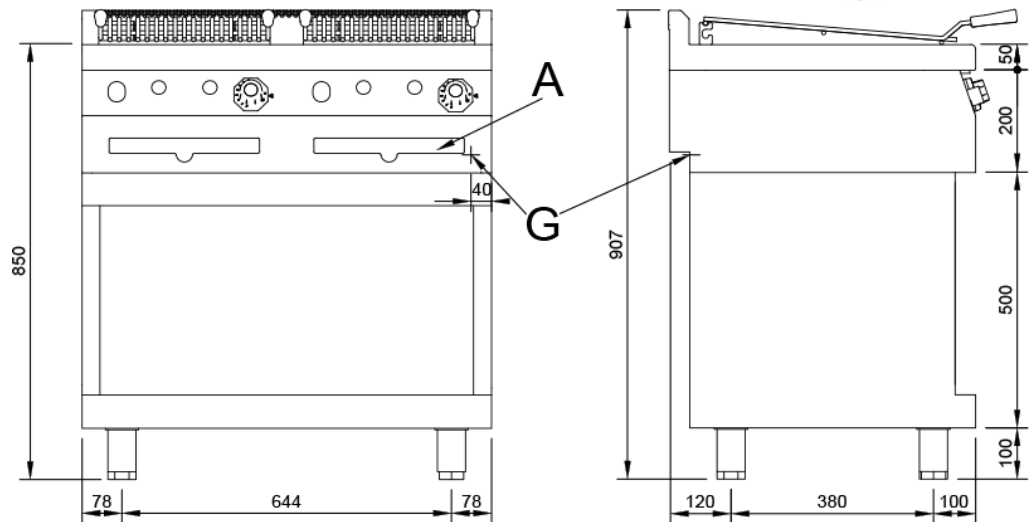
Natural gas H G20 Hi = 34.02 MJ / m³ 1,16

G.P.L. G30 / G31 Hi = 45.65MJ / kg 1,09

Useful area 760 x 475 mm.

Gas inlet 1/2"

Nominal power 14 Kw.



Index

- A. Characteristics plate
(inside panel)
- G. Gas inlet: 1/2"
Power: 14 Kw.
12.040 Kcal/h.

