

Technical Sheet

Cookers 600 EV Series Gas lava rock grill

Jemi Simply built to last

Professional Dishwashing
and Cooking Equipment

Selva de Mar, 122-128
08020 Barcelona, España
Tel. 0034 93 308 31 54
Fax. 0034 93 303 38 73
jemi@jemi.es
www.jemi.es

Mod. PLG60 EV

Characteristics

External dimensions 400 x 600x 850 mm.

Weight 58 Kg.

Gas consumption Hi (15°C 1013,25 mbar)

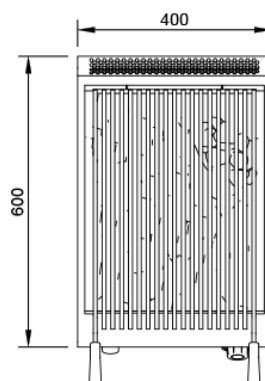
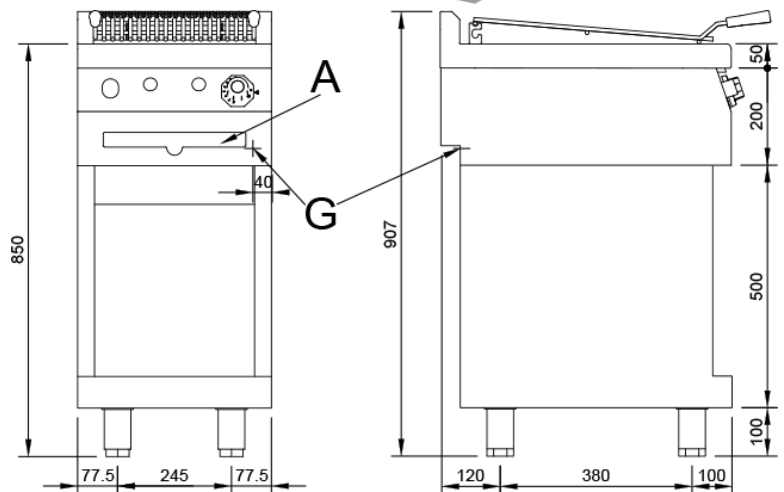
Natural gas H G20 Hi = 34.02 MJ / m³ 0,58

G.P.L. G30 / G31 Hi = 45.65MJ / kg 0,55

Useful area 380 x 475 mm.

Gas inlet 1/2"

Nominal power 7 Kw.



Index

- A. Characteristics plate
(inside panel)
- G. Gas inlet: 1/2"
Power: 7 Kw.
6.020 Kcal/h.

