

# Technical Sheet

## Cookers 600 EV Series Gas cookers and tops

**Jemi** Simply  
built to last

Professional Dishwashing  
and Cooking Equipment

Selva de Mar, 122-128  
08020 Barcelona, España  
Tel. 0034 93 308 31 54  
Fax. 0034 93 303 38 73  
jemi@jemi.es  
www.jemi.es

### Mod. S615 EV

#### Characteristics

External dimensions 400 x 600 x 260 mm.

Weight 42 Kg.

Gas consumption Hi (15°C 1013,25 mbar)

Natural gas H G20 Hi = 34.02 MJ / m<sup>3</sup> 0,70

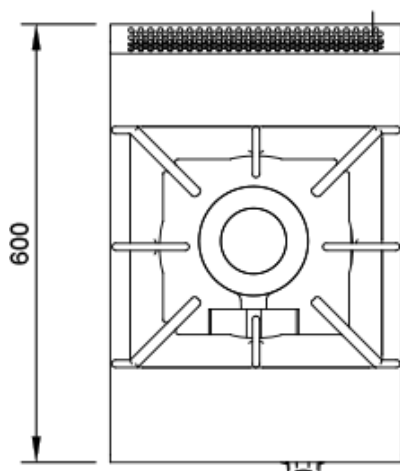
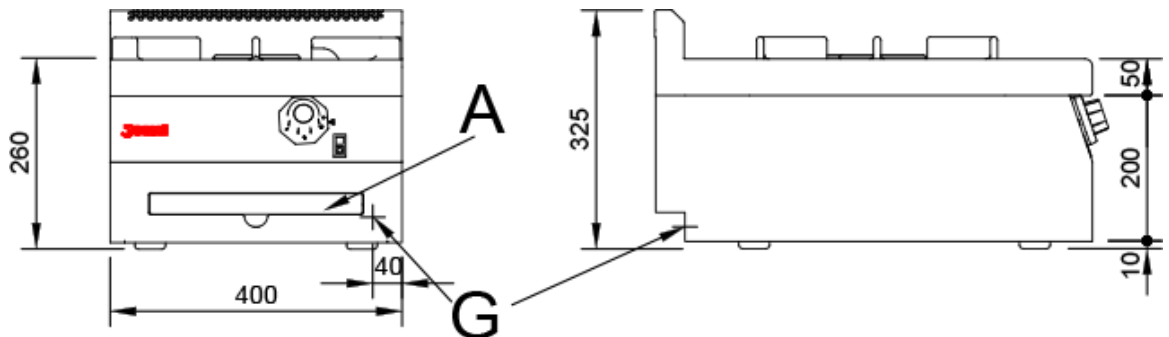
G.P.L. G30 / G31 Hi = 45.65MJ / kg 0,58

Burners  $\varnothing$  150 mm.

Burner power  $\varnothing$  150 mm. 8,4 Kw. / 7.200 Kcal/h.

Gas inlet 1/2"

Nominal power 8,4 Kw.



#### Index

- A. Characteristics plate  
(inside panel)
- G. Gas inlet 1/2".  
Power: 8,4 Kw.  
7.200 Kcal/h.

