

# Technical Sheet

## Cookers 750 EV Series Gas cookers and tops *Efficient Line*

### Mod. S702 EV

**Jemi** Simply built to last

Professional Dishwashing  
and Cooking Equipment

Selva de Mar, 122-128  
08020 Barcelona, España  
Tel. 0034 93 308 31 54  
Fax. 0034 93 303 38 73  
jemi@jemi.es  
www.jemi.es

#### Characteristics

External dimensions 400 x 750 x 380 mm.

Weight 65 Kg.

Gas consumption Hi (15°C 1013,25 mbar)

Natural gas H G20 Hi = 34.02 MJ / m<sup>3</sup> 0,85

G.P.L. G30 / G31 Hi = 45.65MJ / kg 0,80

Burners 1 ø 90 mm.

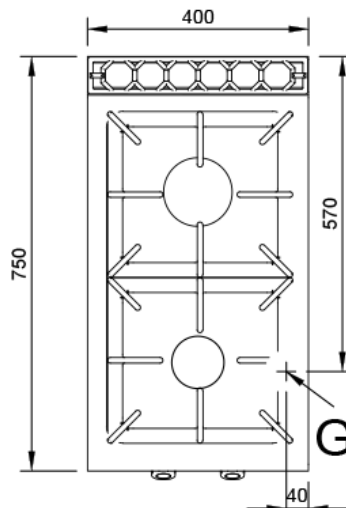
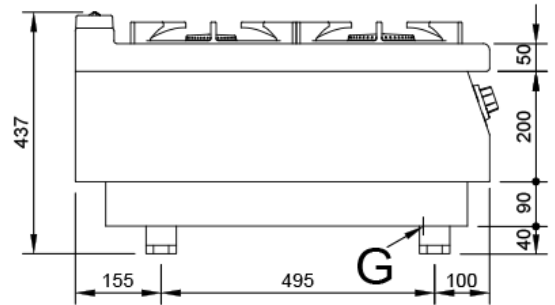
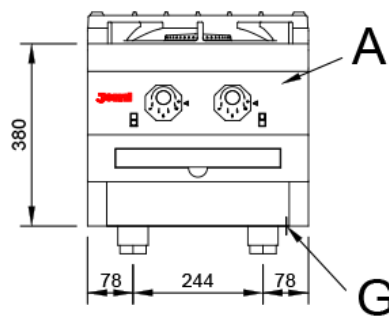
1 ø 120 mm.

Burner power ø 90 mm. 3,6 Kw. / 3.010 Kcal/h.

Burner power ø 120 mm. 6,6 Kw. / 5.590 Kcal/h.

Gas inlet 3/4"

Nominal power 10,2 Kw.



#### Index

- A. Characteristics plate  
(inside panel)
- G. Gas inlet 3/4".  
Power: 10,2 Kw.  
8.772 Kcal/h.

