

# Technical Sheet

## Cookers 750 EV Series Gas cookers and tops EFFICIENT LINE

Selva de Mar, 122-128  
08020 Barcelona, España  
Tel. 0034 93 308 31 54  
Fax. 0034 93 303 38 73  
jemi@jemi.es  
www.jemi.es

### Mod. S704 EV

#### Characteristics

External dimensions 800 x 750 x 380 mm.

Weight 69 Kg.

Gas consumption Hi (15°C 1013,25 mbar)

Natural gas H G20 Hi = 34.02 MJ / m<sup>3</sup> 1,70

G.P.L. G30 / G31 Hi = 45.65 MJ / kg 1,60

Burners 2 ø 90 mm.

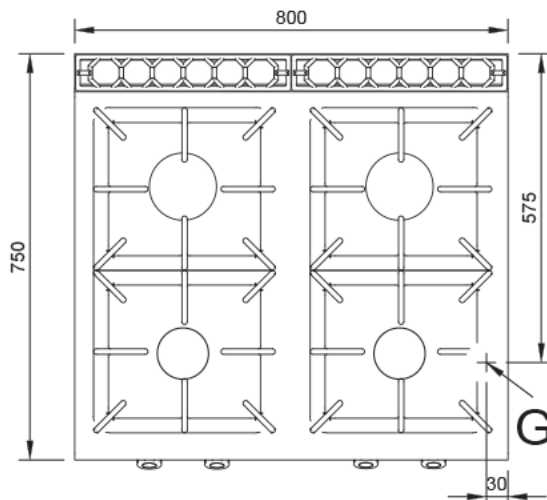
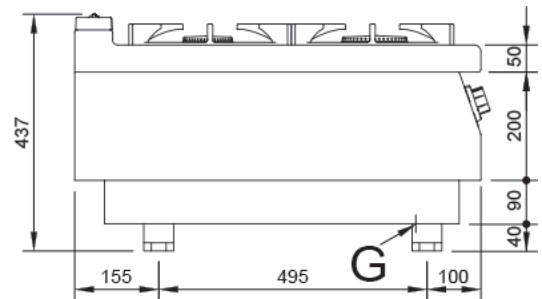
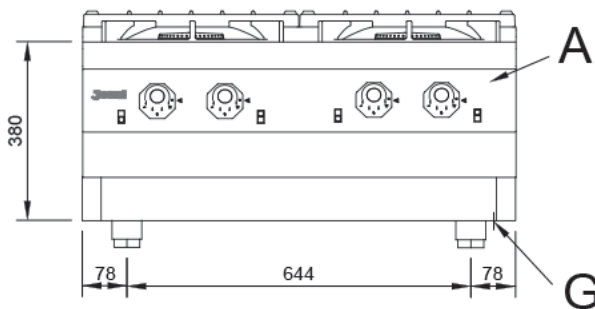
2 ø 120 mm.

Burner power ø 90 mm. 3,6 Kw. / 3.100 Kcal/h.

Burner power ø 120 mm. 6,6 Kw. / 5.675 Kcal/h.

Gas inlet 3/4"

Nominal power 20,4 Kw. / 17.544 Kcal/h.



#### Index

A. Characteristics plate  
(inside panel)

G. Gas inlet 3/4"  
Power: 20,4 Kw.  
17.544 Kcal/h.

