

Technical Sheet

Cookers 750 EV Series Pyroceram

Jemi Simply built to last

Professional Dishwashing
and Cooking Equipment

Selva de Mar, 122-128
08020 Barcelona, España
Tel. 0034 93 308 31 54
Fax. 0034 93 303 38 73
jemi@jemi.es
www.jemi.es

Mod. S70V EV

Characteristics

Externals dimensions 400 x 750 x 380 mm.

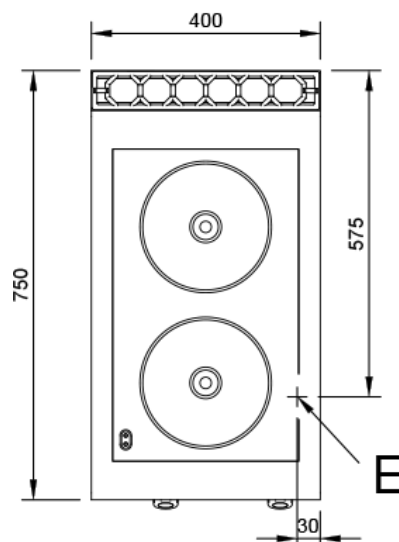
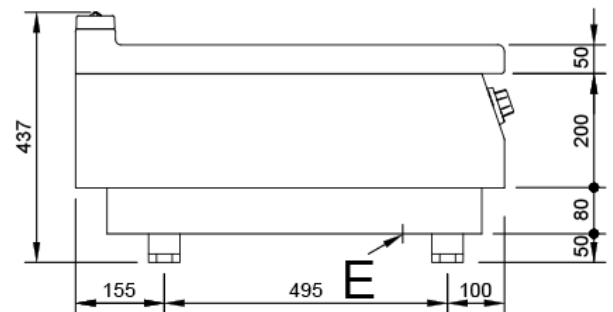
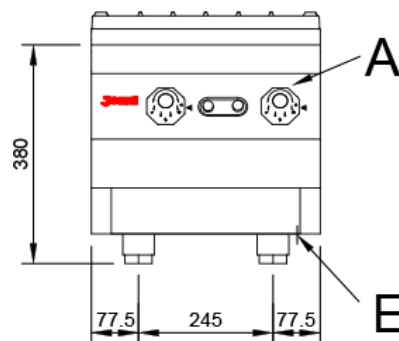
Weight 45 Kg.

Voltage 400V. III + T

Dimensions pyroceram plates 540 x 320 x 6 mm.

Power plates 2 x 2,1 Kw.

Electric power 4,2 Kw.



Index

- A. Characteristics plate
(inside panel)
- E. Electric inlet 400V. III + T.
Power: 4,2 Kw.

