

Technical Sheet

Cookers 600 EV Series Electric Fryers

Jemi Simply built to last

Professional Dishwashing
and Cooking Equipment

Selva de Mar, 122-128
08020 Barcelona, España
Tel. 0034 93 308 31 54
Fax. 0034 93 303 38 73
jemi@jemi.es
www.jemi.es

Mod. SFRE8 / SFRE8 GP EV

Characteristics

External dimensions 400 x 600 x 260 mm.

Weight 45 Kg.

Basket dimensions 220 x 310 x 105 mm.

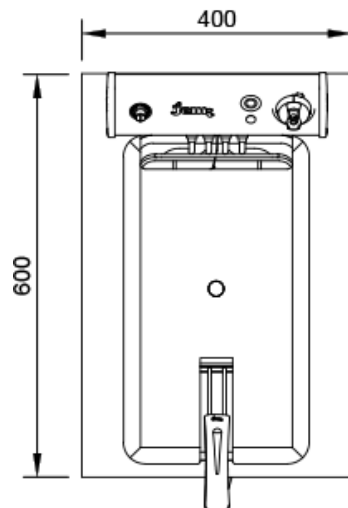
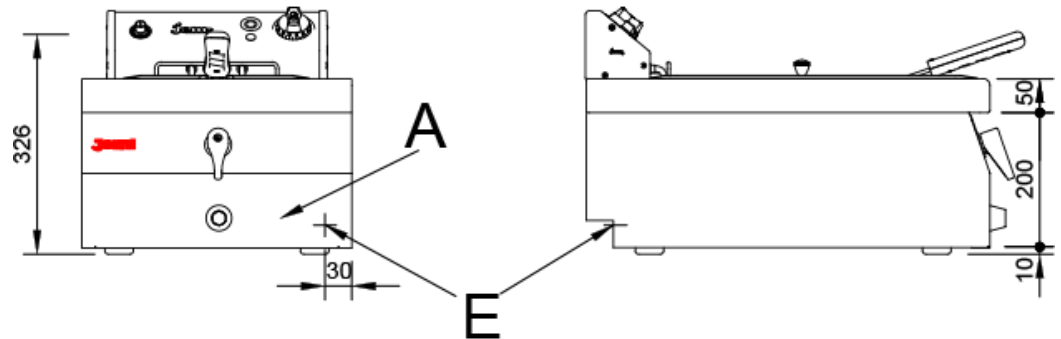
Litres 8

Voltage SFRE8 220V. II + T

SFRE8 GP 400V. III + T

Electric power SFRE8 3,6 Kw.

SFRE8 GP 5 Kw.



Index

- A. Characteristics plate
(inside panel)
- E. Electric inlet:
SFRE8: 220V. II + T
SFRE8 GP: 400V. III + T
Power:
SFRE8: 3,6 Kw.
SFRE8 GP: 5 Kw.

