

Technical Sheet

Jemi Simply built to last

Professional Dishwashing and Cooking Equipment

Cookers 600 EV Series Gas cookers and tops *Efficient Line*

Selva de Mar, 122-128
08020 Barcelona, España
Tel. 0034 93 308 31 54
Fax. 0034 93 303 38 73
jemi@jemi.es
www.jemi.es

Mod. T604 EV

Characteristics

External dimensions 400 x 600 x 850 mm.

Weight 57 Kg.

Gas consumption Hi (15°C 1013,25 mbar)

Natural gas H G20 Hi = 34.02 MJ / m³ 0,85

G.P.L. G30 / G31 Hi = 45.65MJ / kg 0,80

Burners 1 ø 90 mm.

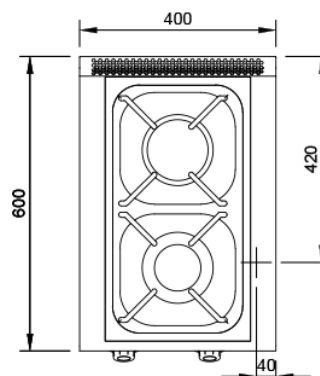
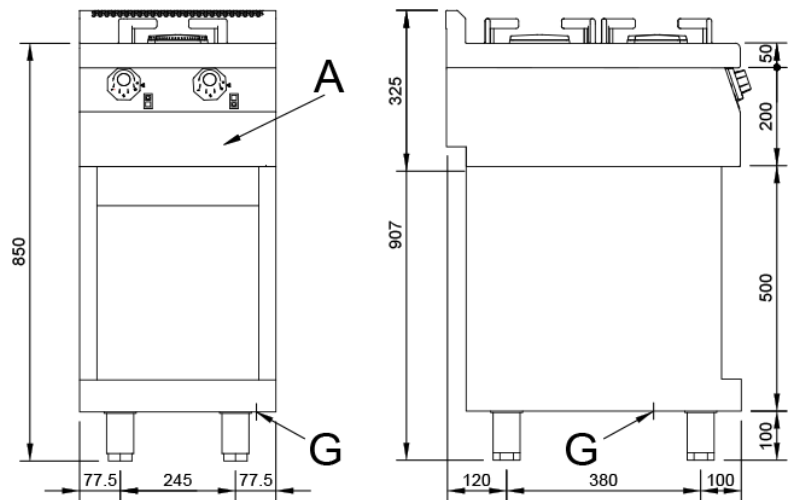
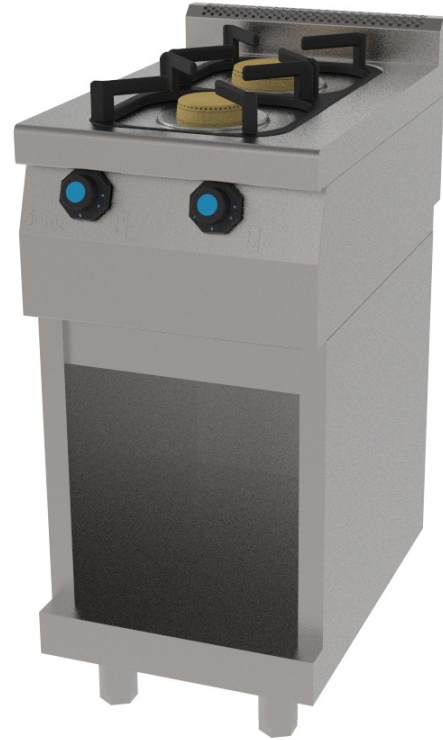
1 ø 120 mm.

Burner power ø 90 mm. 3,6 Kw. / 3.010 Kcal/h.

Burner power ø 120 mm. 6,6 Kw. / 5.590 Kcal/h.

Gas inlet 1/2"

Nominal power 10.2 Kw.



Index

- A. Characteristics plate (inside panel)
- G. Gas inlet 1/2".
Power: 10,2 Kw.
8.772 Kcal/h.

