

Technical Sheet

Cookers 600 EV Series Electric cookers and tops

Jemi Simply built to last

Professional Dishwashing
and Cooking Equipment

Selva de Mar, 122-128
08020 Barcelona, España
Tel. 0034 93 308 31 54
Fax. 0034 93 303 38 73
jemi@jemi.es
www.jemi.es

Mod. T614E EV

Characteristics

External dimensions 800 x 600 x 850 mm.

Weight 79 Kg.

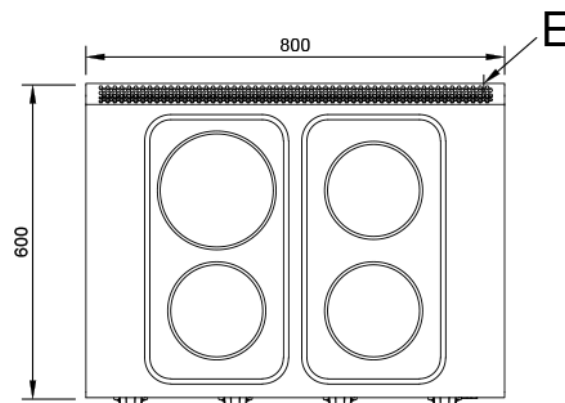
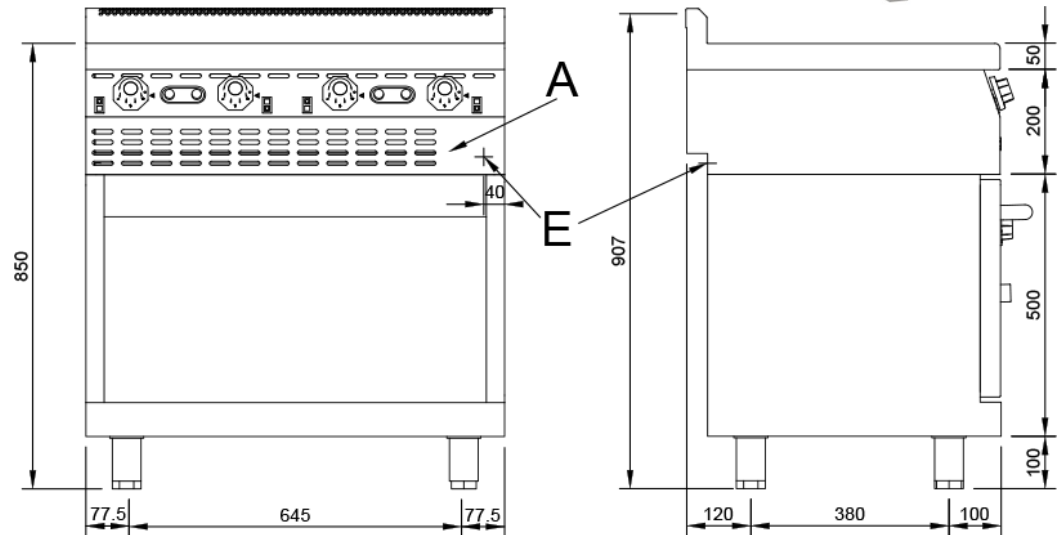
Dimensions electric plates 3 Ø 180 mm.
1 Ø 220 mm.

Power plates Ø 180mm. 2 Kw.

Power plate Ø 220 mm. 2,6 Kw.

Voltage 400V. III + T

Electric power 8,6 Kw.



Index

- A. Characteristics plate (inside panel)
- E. Electric inlet 400V. III + T. Power: 8,6 Kw.

