

Technical Sheet

Jemi Simply built to last

Professional Dishwashing and Cooking Equipment

Cookers 600 EV Series Gas cookers and tops

Selva de Mar, 122-128
08020 Barcelona, España
Tel. 0034 93 308 31 54
Fax. 0034 93 303 38 73
jemi@jemi.es
www.jemi.es

Mod. T625 EV

Characteristics

External dimensions 800 x 600 x 850 mm.

Weight 70 Kg.

Gas consumption Hi (15°C 1013,25 mbar)

Natural gas H G20 Hi = 34.02 MJ / m³ 1,31

G.P.L. G30 / G31 Hi = 45.65MJ / kg 1,06

Burners 1 ø 150 mm.

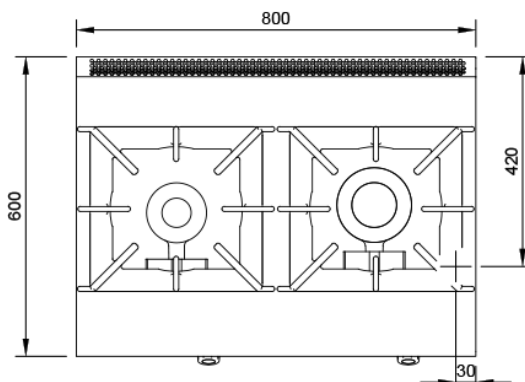
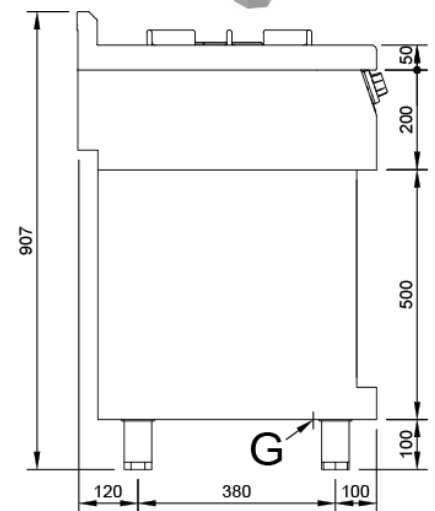
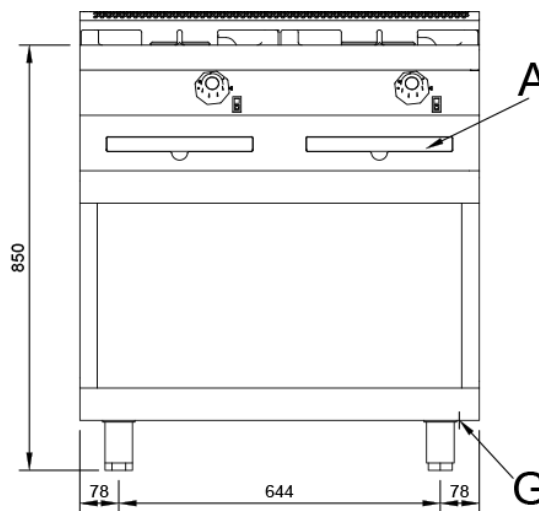
1 ø 120 mm.

Burner power ø 150 mm. 8,4 Kw. / 7.200 Kcal/h.

Burner power ø 120 mm. 7,4 Kw. / 6.300 Kcal/h.

Gas inlet 1/2"

Nominal power 15,80 Kw.



Index

A. Characteristics plate
(inside panel)

G. Gas inlet 1/2"
Power: 15,80 Kw.
13.500 Kcal/h.

