

Technical Sheet

Cookers 750 EV Series Electric cookers and tops

Jemi Simply built to last

Professional Dishwashing
and Cooking Equipment

Selva de Mar, 122-128
08020 Barcelona, España
Tel. 0034 93 308 31 54
Fax. 0034 93 303 38 73
jemi@jemi.es
www.jemi.es

Mod. T721E EV

Characteristics

External dimensions 400 x 750 x 850 mm.

Weight 72 Kg.

Dimensions electric plates 1 Ø 180 mm.

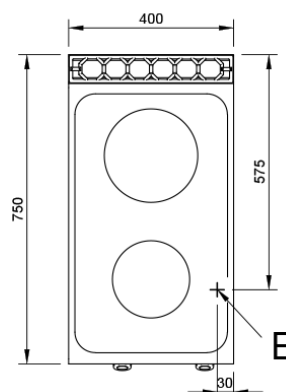
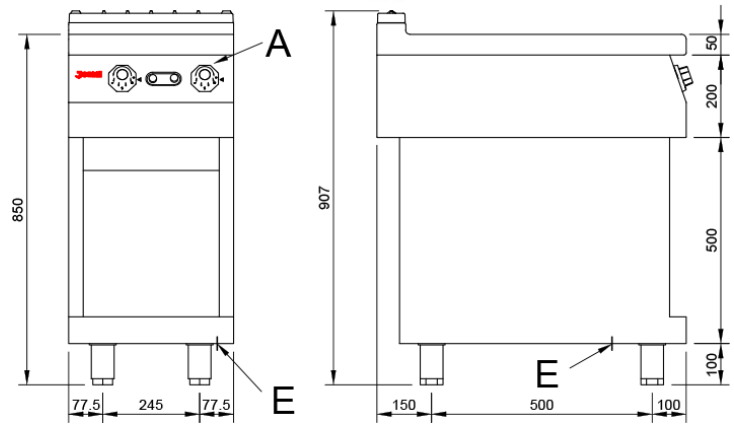
1 Ø 220 mm.

Power plates Ø 180 mm. 2 Kw.

Ø 220 mm. 2,6 Kw.

Voltage 400V. III + T

Electric power 4,6 Kw.



Index

- A. Characteristics plate (inside panel)
- E. Electric inlet 400V. III + T. Power: 4,6 Kw.

