

# Technical Sheet

**Jemi** Simply built to last

Professional Dishwashing and Cooking Equipment

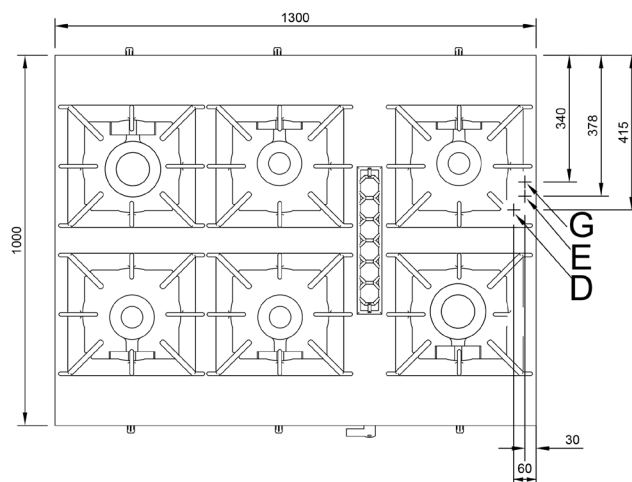
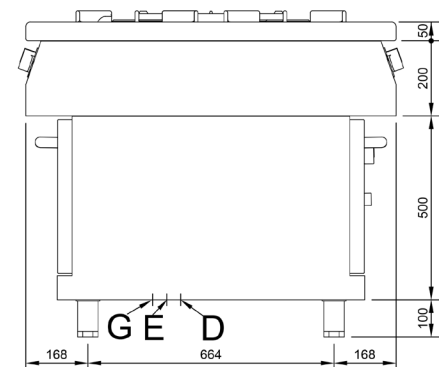
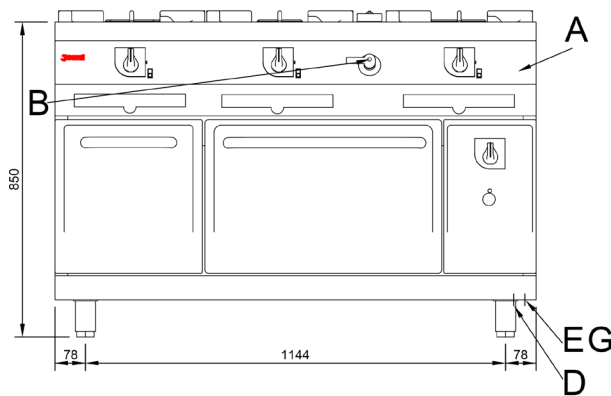
## Cookers 1000 EV Series Cookers with water chamber CHEF

Selva de Mar, 122-128  
08020 Barcelona, España  
Tel. 0034 93 308 31 54  
Fax. 0034 93 303 38 73  
jemi@jemi.es  
www.jemi.es

### Mod. 60P CHEF EV

#### Characteristics

Externals dimensions	1300 x 1000 x 850 mm.
Weight	194 Kg.
Gas consumption Hi (15°C 1013,25 mbar)	
Natural gas H G20 Hi = 34.02 MJ / m <sup>3</sup>	4,29
G.P.L. G30 / G31 Hi = 45.65MJ / kg	3,49
Burners	2 out of ø 150 mm. 4 out of ø 120 mm.
Burner power ø 150 mm.	8,4 Kw. / 7.200 Kcal/h.
Burner power ø 120 mm.	7,4 Kw. / 6.300 Kcal/h.
Oven power	5,35 Kw. / 4.600 Kcal/h.
Oven dimensions	530 x 750 x 330 mm.
Gas inlet	3/4"
Water inlet	1/2"
Drain	1"
Nominal power	51,40 Kw.



#### Index

- A. Characteristics plate (inside panel)
  - B. Filling tap.
  - D. Drain 1"
  - E. Water inlet 1/2".
  - G. Gas inlet 3/4".
- Power: 51,40 Kw.  
44.200 Kcal/h.

