

# Technical Sheet

**Jemi** Simply built to last

Professional Dishwashing and Cooking Equipment

## Cookers 1000 EV Series Gas cookers and tops

Selva de Mar, 122-128  
08020 Barcelona, España  
Tel. 0034 93 308 31 54  
Fax. 0034 93 303 38 73  
jemi@jemi.es  
www.jemi.es

### Mod. 60P EV

#### Characteristics

External dimensions 1300 x 1000 x 850 mm.  
Weight 194 Kg.

#### Gas consumption Hi (15°C 1013,25 mbar)

Natural gas H G20 Hi = 34.02 MJ / m<sup>3</sup> 4,29  
G.P.L. G30 / G31 Hi = 45.65MJ / kg 3,49

Burners 2 out of ø 150 mm.  
4 out of ø 120 mm.

Burner power ø 150 mm. 8,4 Kw. / 7.200 Kcal/h.

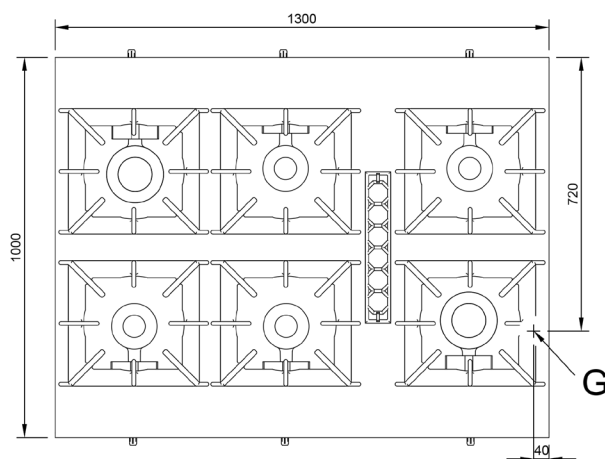
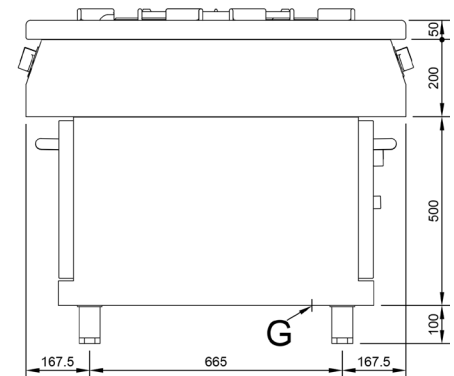
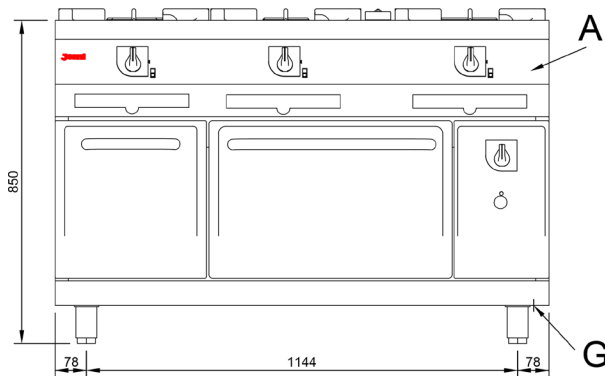
Burner power ø 120 mm. 7,4 Kw. / 6.300 Kcal/h.

Oven power 5 Kw. / 4.600 Kcal/h.

Oven dimensions 530 x 760 x 330 mm.

Gas inlet 3/4"

Nominal power 51,40 Kw.



#### Index

- A. Characteristics plate (inside panel)
- G. Inlet gas 3/4".  
Power: 51,40 Kw.  
44.200 Kcal/h.

