

Technical Sheet

Jemi Simply built to last

Professional Dishwashing and Cooking Equipment

Cookers 900 EV Series Cookers with water chamber CHEF

Selva de Mar, 122-128
08020 Barcelona, España
Tel. 0034 93 308 31 54
Fax. 0034 93 303 38 73
jemi@jemi.es
www.jemi.es

Mod. 611 HG CHEF EV

Characteristics

External dimensions 1200 x 900 x 850 mm.

Weight 194 Kg.

Gas consumption Hi (15°C 1013,25 mbar)

Natural gas H G20 Hi = 34.02 MJ / m³ 4,62

G.P.L. G30 / G31 Hi = 45.65MJ / kg 3,79

Burners 2 out of ø 150 mm.

4 out of ø 120 mm.

Burner power ø 150 mm. 8,4 Kw. / 7.200 Kcal/h.

Burner power ø 120 mm. 7,4 Kw. / 6.300 Kcal/h.

Burner oven power 9,3 Kw. / 8.000 Kcal/h.

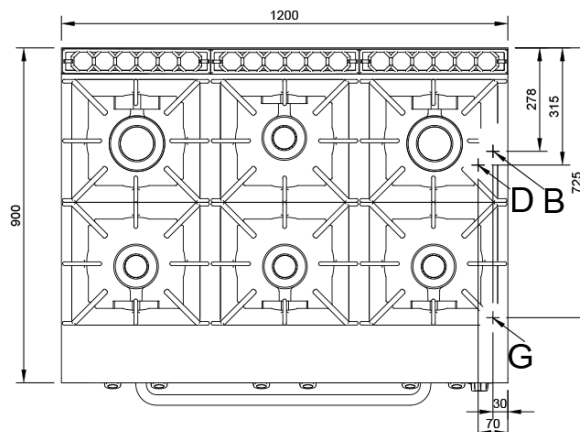
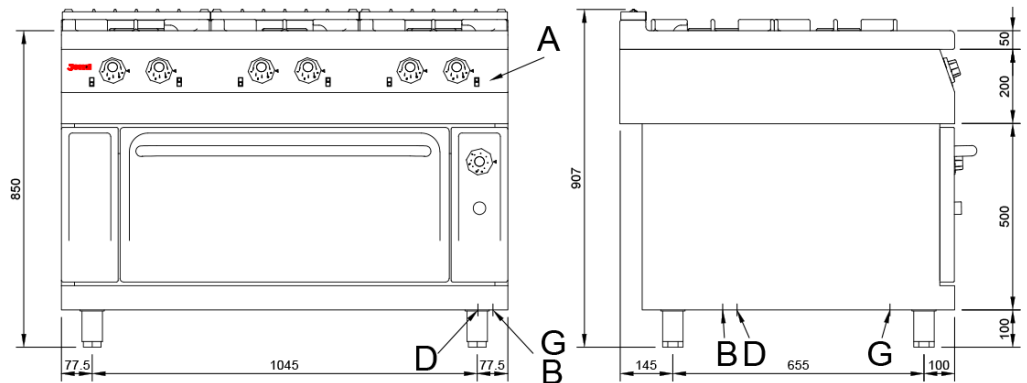
Oven dimensions 735 x 750 x 330 mm.

Gas inlet 3/4"

Water inlet 1/2"

Drain 1"

Nominal power 55,35 Kw.



Index

A. Characteristics plate (inside panel)

B. Water inlet 1/2"

D. Drain 1"

G. Gas inlet 3/4".

Power: 55,35 Kw.

447.600 Kcal/h.

