

Technical Sheet

Cookers 750 EV Series Electric Pasta Cookers

Jemi Simply built to last

Professional Dishwashing
and Cooking Equipment

Selva de Mar, 122-128
08020 Barcelona, España
Tel. 0034 93 308 31 54
Fax. 0034 93 303 38 73
jemi@jemi.es
www.jemi.es

Mod. CPE70 EV

Characteristics

Externals dimensions 400 x 750 x 850 mm.

Weight 80 Kg.

Tank dimensions 305 x 345 x 330 mm.

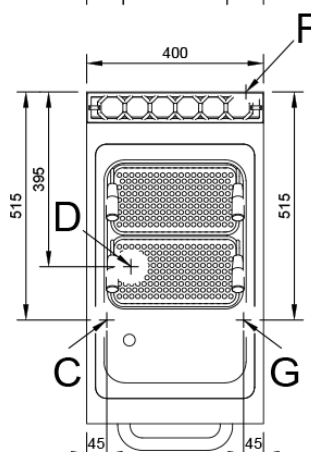
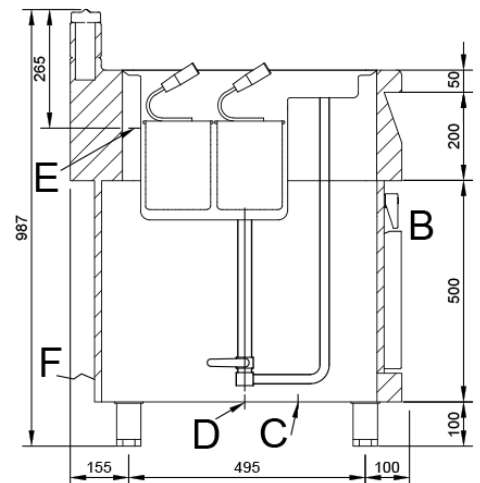
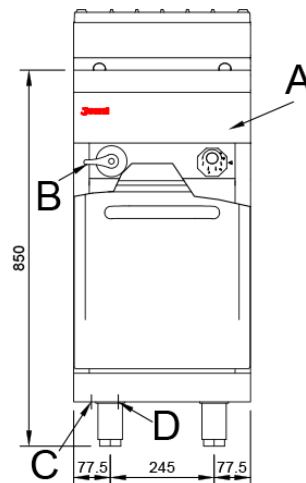
Tank capacity 27 litres

Nº baskets 2

basket dimensions 293 x 158 x 203 mm.

Voltage 400V. III N + T

Electric power 9 Kw.



Index

- A. Characteristics plate (inside panel)
- B. Filling faucet.
- C. Cold water inlet 1/2".
- D. Drain.
- E. Water level.
- F. Electric inlet 400V. III N + T.
Power: 9 Kw.

