

# Technical Sheet

## Cookers 750 EV Series Electric Frayers

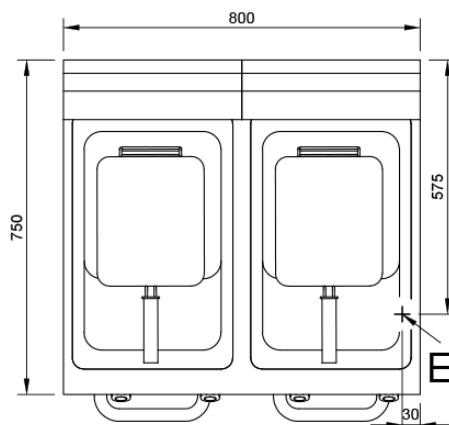
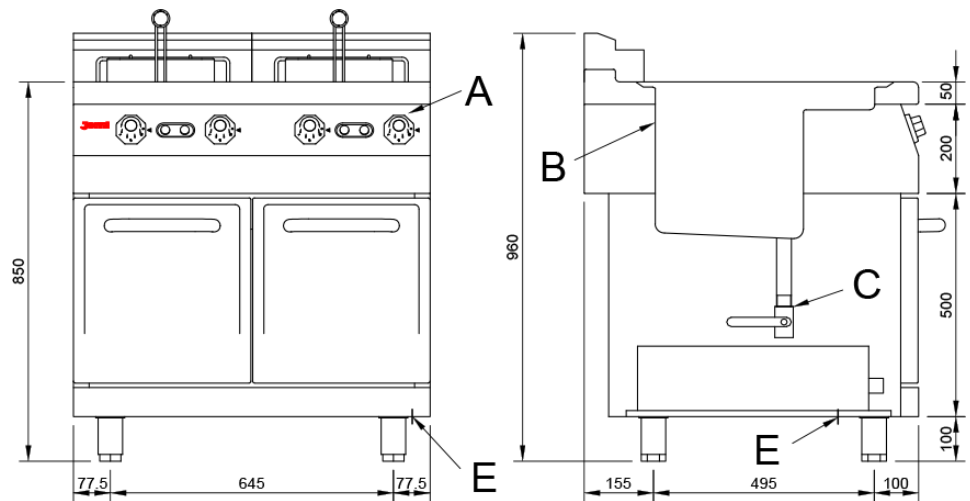
**Jemi** Simply built to last  
Professional Dishwashing  
and Cooking Equipment

Selva de Mar, 122-128  
08020 Barcelona, España  
Tel. 0034 93 308 31 54

### Mod. FRE70/2 EV

#### Characteristics

External dimensions	800 x 750 x 850 mm.
Weight	98 Kg.
Tank dimensions W x D x H	305 x 345 x 340 mm.
Tank capacity	15 + 15 liters
Number of baskets	2 singles or 1 double
Dimensions single basket	135 x 280 x 95 mm.
Dimensions double basket	280 x 280 x 95 mm.
Electric inlet	400V III + N + T
Power	20 Kw.



#### Index

- A. Characteristics plate.  
(inside panel)
- B. Level.
- C. Drain.
- E. Electric inlet 400V. III + N + T  
Power: 20 Kw.

