

# Technical Sheet

## Cookers 1000 EV Series Gas Fryers

**Jemi** Simply built to last

Professional Dishwashing  
and Cooking Equipment

Selva de Mar, 122-128  
08020 Barcelona, España  
Tel. 0034 93 308 31 54  
Fax. 0034 93 303 38 73  
jemi@jemi.es  
www.jemi.es

### Mod. FRG100/2 EV

#### Characteristics

Externals dimensions 900 x 1000 x 850 mm.

Weight 115 Kg.

Gas consumption Hi (15°C 1013,25 mbar)

Natural gas H G20 Hi = 34.02 MJ / m<sup>3</sup> 5,02

G.P.L. G30 / G31 Hi = 45.65MJ / kg 3,78

Tank dimensions 305 x 510 x 388 mm.

Tank capacity 23 + 23 litres.

Number of baskets 4 singles or 2 doubles

Dimensions basket single 130 x 445 x 105 mm.

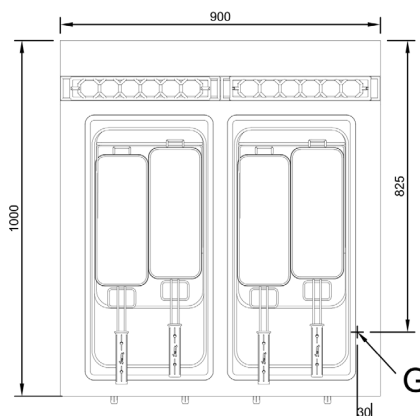
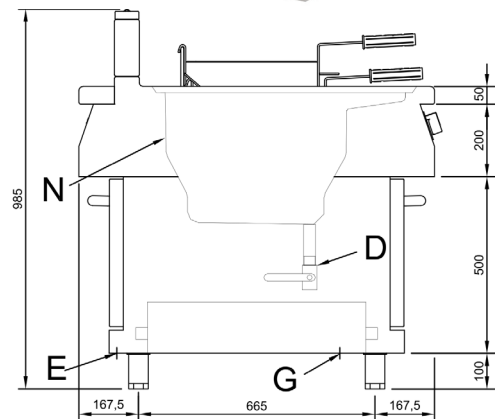
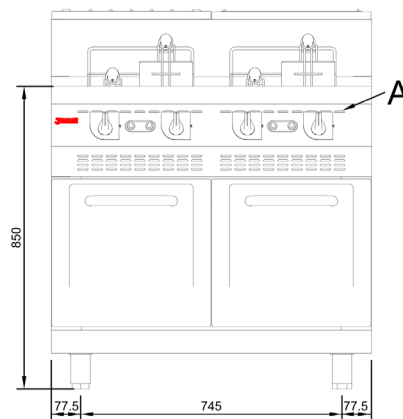
Dimensions basket double 285 x 445 x 105 mm.

Number of burners 2 + 2

Electric inlet 230V. II

Gas inlet 3/4"

Nominal power 48 Kw.



#### Index

A. Characteristics plate  
(inside panel)

D. Drain.

E Electric inlet 230V. II.

G. Gas inlet 3/4".

N. Level

Power: 48 Kw.

41.280 Kcal/h.

