

# Technical Sheet

## Cookers 750 EV Series Gas Fryers

**Jemi** Simply built to last

Professional Dishwashing  
and Cooking Equipment

Selva de Mar, 122-128  
08020 Barcelona, España  
Tel. 0034 93 308 31 54  
Fax. 0034 93 303 38 73  
jemi@jemi.es  
www.jemi.es

### Mod. FRG70 EV

#### Characteristics

Externals dimensions 400 x 750 x 850 mm.

Weight 62 Kg.

Gas consumption Hi (15°C 1013,25 mbar)

Natural gas H G20 Hi = 34.02 MJ / m<sup>3</sup> 1,25

G.P.L. G30 / G31 Hi = 45.65MJ / kg 0,89

Tank dimensions W x D x H 305 x 345 x 340 mm.

Tank capacity 15 litres.

Number of baskets 2 Singles or 1 double.

Dimensions basket single W x D x H 135 x 280 x 95 mm.

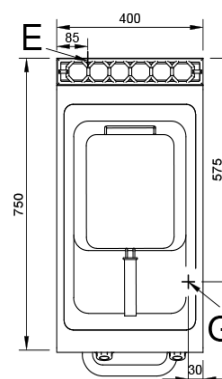
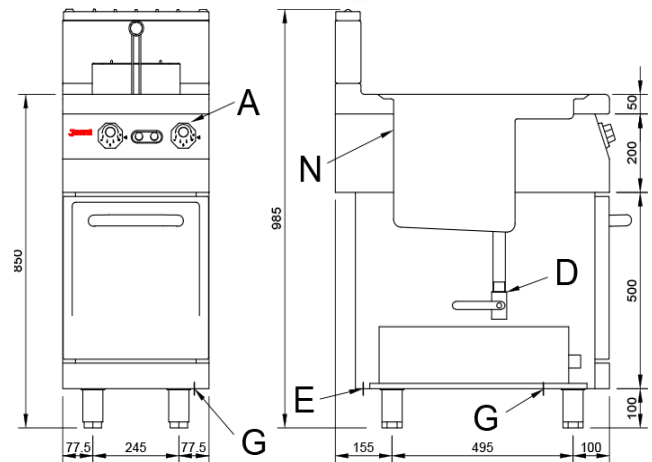
Dimensions basket double W x D x H 280 x 280 x 95 mm.

Number of burners 2

Electric inlet 230V. II

Gas inlet 3/4"

Nominal power 11,90 Kw.



#### Index

A. Characteristics plate  
(inside panel)

D. Drain.

E Electric inlet 230V. II.

G. Gas inlet 3/4".

N. Level

Power: 11,90 Kw.

10.234 Kcal/h.

