

Technical Sheet

Cookers 1000 EV Series Gas Fry-Top Quick griddles

Jemi Simply built to last

Professional Dishwashing
and Cooking Equipment

Selva de Mar, 122-128
08020 Barcelona, España
Tel. 0034 93 308 31 54
Fax. 0034 93 303 38 73
jemi@jemi.es
www.jemi.es

Mod. FRT50 / P102 EV

Characteristics

External dimensions 450 x 1000 x 850 mm.

Weight 93 Kg.

Gas consumption Hi (15°C 1013,25 mbar)

Natural gas H G20 Hi = 34.02 MJ / m³ 0,76

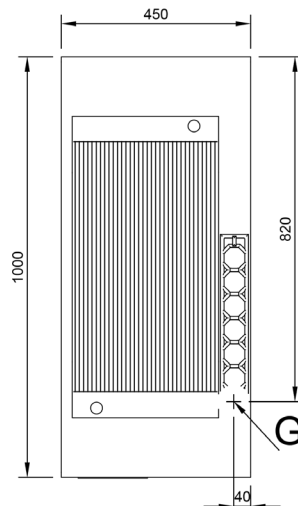
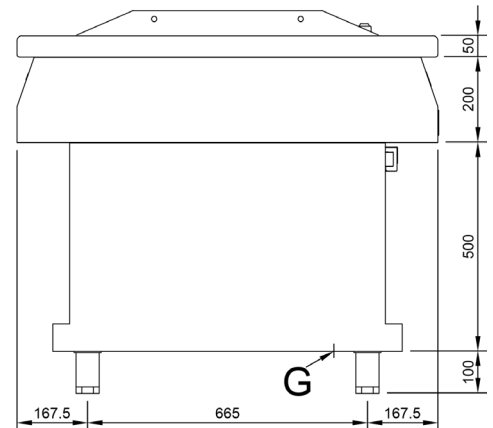
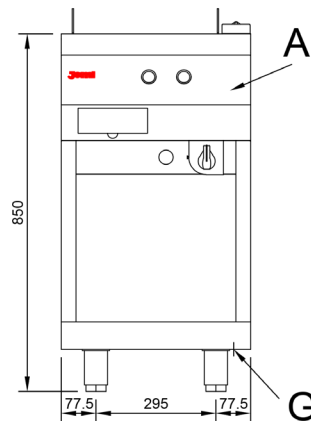
G.P.L. G30 / G31 Hi = 45.65MJ / kg 0,62

Useful area 341 x 723 mm.

Type surface Grooved (IRON).

Gas inlet 3/4"

Nominal power 9,1 Kw.



Index

- A. Characteristics plate
(inside panel)
- G. Inlet gas 3/4".
Power: 9,1 Kw.
7.800 Kcal/h.

