

# Technical Sheet

**Jemi** Simply built to last

Professional Dishwashing and Cooking Equipment

## Cookers 750 EV Series Gas Fry-Top Quick griddles

Selva de Mar, 122-128  
08020 Barcelona, España  
Tel. 0034 93 308 31 54  
Fax. 0034 93 303 38 73  
jemi@jemi.es  
www.jemi.es

### Mod. FRT75 / P75VT EV

#### Characteristics

External dimensions 800 x 750 x 850 mm.

Weight 130 Kg.

Gas consumption Hi (15°C 1013,25 mbar)

Natural gas H G20 Hi = 34.02 MJ / m<sup>3</sup> 1,34

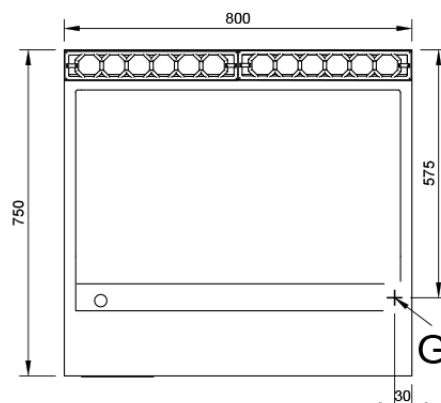
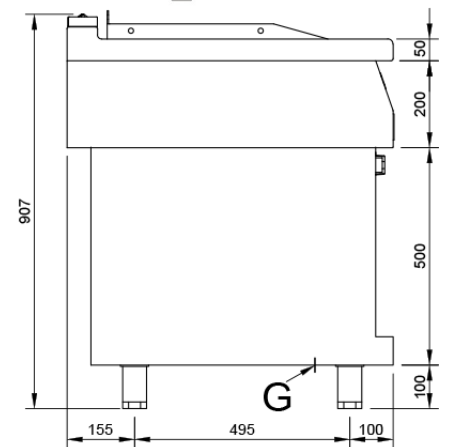
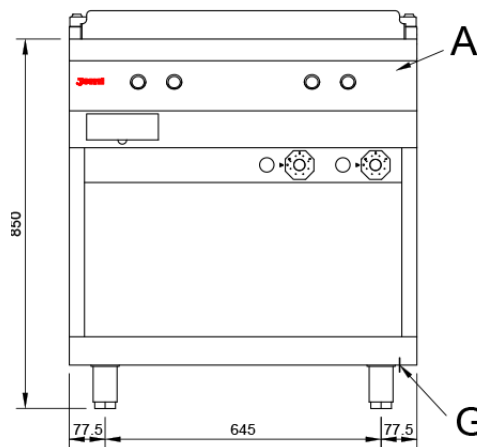
G.P.L. G30 / G31 Hi = 45.65MJ / kg 1,18

Useful area 741 x 506 mm.

Surface type Smooth (CHROME PLATE).

Gas inlet 3/4"

Nominal power 16,04 Kw.



#### Index

A. Characteristics plate  
(inside panel)

G. Inlet gas 3/4".

Power: 16,04 Kw.

13.800 Kcal/h.

