

Technical Sheet

Cookers 900 EV Series Gas Fry-Top Quick griddles

Jemi Simply built to last

Professional Dishwashing
and Cooking Equipment

Selva de Mar, 122-128
08020 Barcelona, España
Tel. 0034 93 308 31 54
Fax. 0034 93 303 38 73
jemi@jemi.es
www.jemi.es

Mod. FRT90 / P96VT EV

Characteristics

External dimensions 800 x 900 x 850 mm.

Weight 163 Kg.

Gas consumption Hi (15°C 1013,25 mbar)

Natural gas H G20 Hi = 34.02 MJ / m³ 1,52

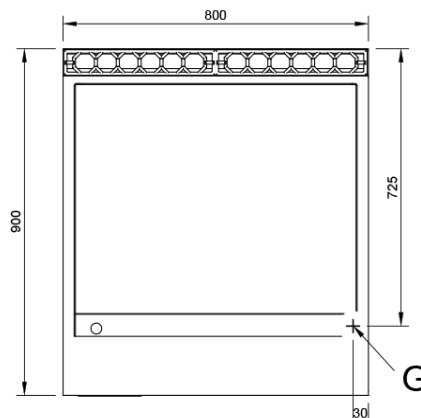
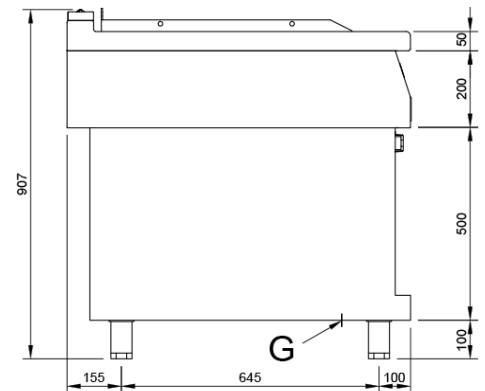
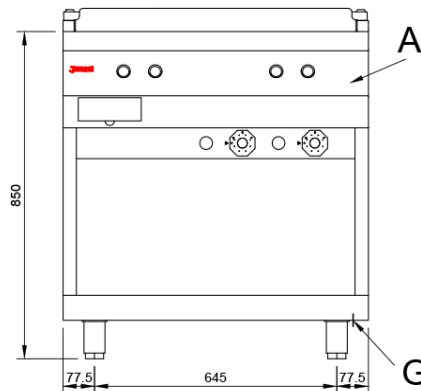
G.P.L. G30 / G31 Hi = 45.65MJ / kg 1,24

Useful area 741 x 656 mm.

Type surface Smooth (CHROME PLAT)

Gas inlet 3/4"

Nominal power 18,14 Kw.



Index

A. Characteristics plate
(inside panel)

G. Inlet gas 3/4".

Power: 18,14 Kw.

15.600 Kcal/h.

