

# Technical Sheet

## Cookers 750 EV Series Electric Fry-Top Quick griddles

**Jemi** Simply built to last

Professional Dishwashing  
and Cooking Equipment

Selva de Mar, 122-128  
08020 Barcelona, España  
Tel. 0034 93 308 31 54  
Fax. 0034 93 303 38 73  
jemi@jemi.es  
www.jemi.es

### Mod. FRTE75 / P78 EV

#### Characteristics

External dimensions 800 x 750 x 850 mm.

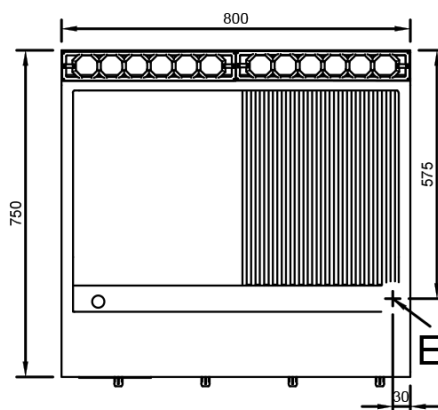
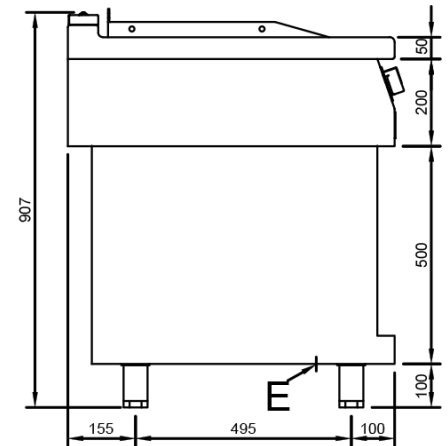
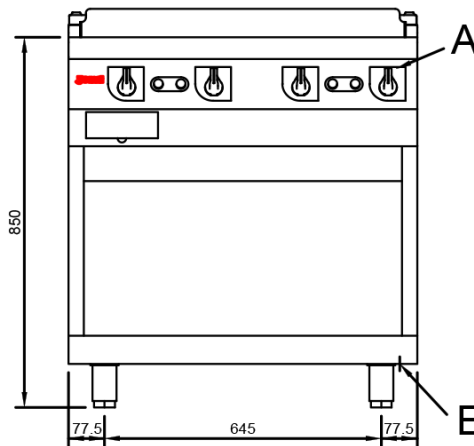
Weight 115 Kg.

Useful area 741 x 506 mm.

Type surface 1/2 Grooved (IRON)

Voltage 400V. III + T

Electric power 9,6 Kw.



#### Index

- A. Characteristics plate  
(Inside panel)
- E. Electric inlet 400V. III + T  
Power: 9,6 Kw.

