

# Technical Sheet

## Cookers 900 EV Series Electric Fry-Top Quick griddles

**Jemi** Simply built to last

Professional Dishwashing  
and Cooking Equipment

Selva de Mar, 122-128  
08020 Barcelona, España  
Tel. 0034 93 308 31 54  
Fax. 0034 93 303 38 73  
jemi@jemi.es  
www.jemi.es

### Mod. FRTE90 / P97 EV

#### Characteristics

External dimensions 800 x 900 x 850 mm.

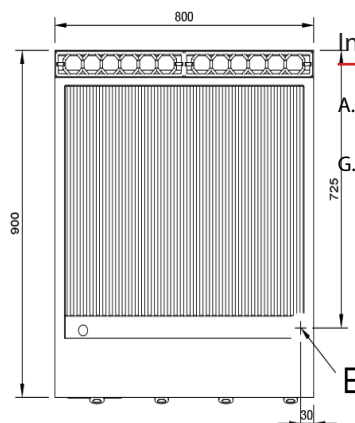
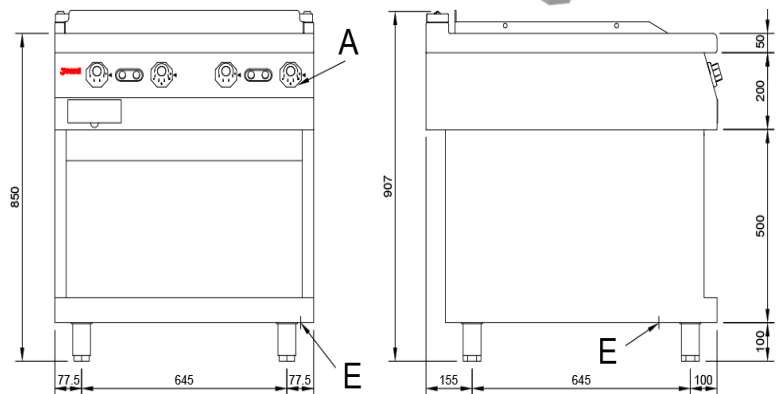
Weight 163 Kg.

Voltage 400V. III + N + T

Useful area 741 x 656 mm.

Type surface Grooved (IRON).

Nominal power 15 Kw.



#### Index

- A. Characteristics plate (inside panel)
- G. Electric inlet 400V III + N + T. Power: 15 Kw.

