

Technical Sheet

Jemi Simply built to last

Professional Dishwashing
and Cooking Equipment

Frayers N Series Tabletop (oil + water)

Selva de Mar, 122-128
08020 Barcelona, España
Tel. 0034 93 308 31 54
Fax. 0034 93 303 38 73
jemi@jemi.es
www.jemi.es

Mod. N-7

Characteristics

Externals dimensions 380 x 530 x 480 mm.

Weight 19 Kg.

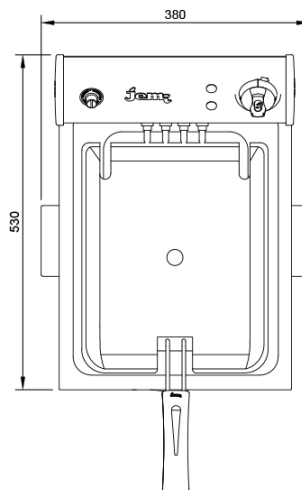
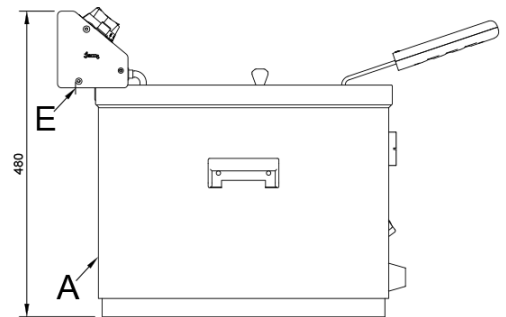
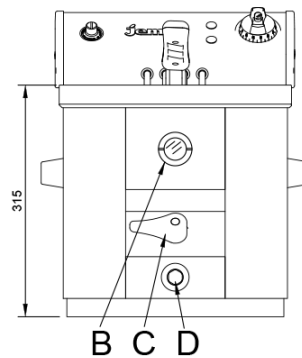
Oil capacity 7 litres.

Water capacity 3 litres.

Dimensions basket 180 x 250 x 105 mm.

Electric inlet 230V. II.

Power 3,5 Kw.



Index

- A. Characteristics plate
(Lower back)
- B. Level view.
- C. Drained tap.
- D. Drain
- E. Electric inlet: 230V. II
Power: 3,5 Kw.

