

Technical Sheet

Cookers 750 EV Series Electric Ovens

Jemi Simply
built to last

Professional Dishwashing
and Cooking Equipment

Selva de Mar, 122-128
08020 Barcelona, España
Tel. 0034 93 308 31 54
Fax. 0034 93 303 38 73
jemi@jemi.es
www.jemi.es

Mod. H7E EV

Characteristics

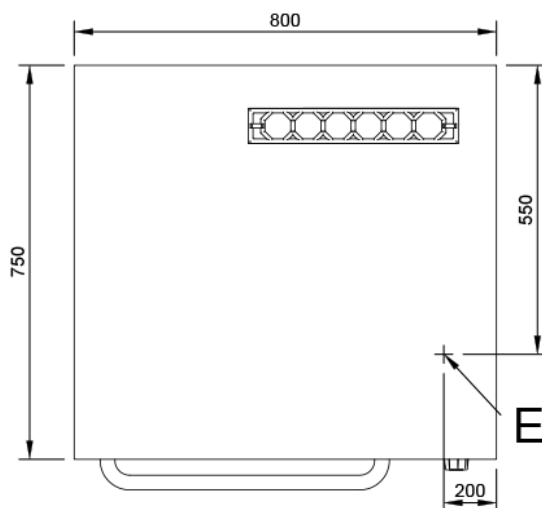
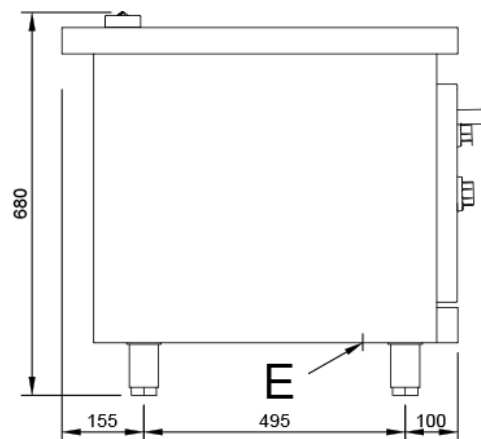
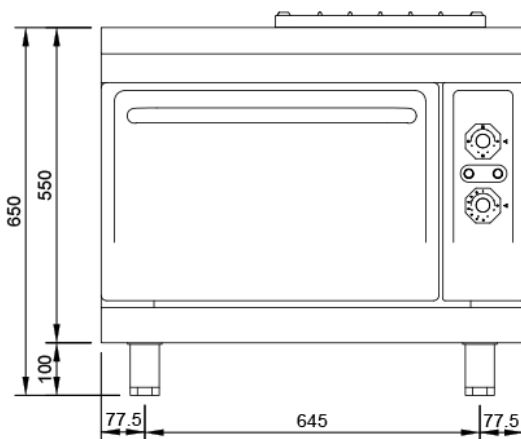
External dimensions 800 x 750 x 700 mm.

Weight 53 Kg.

Oven dimensions 530 x 605 x 330 mm.

Electric inlet 400V. III + T.

Power 6 Kw.



Index

E. Electric inlet 400V. III + T.
Power: 6 Kw.

