

Technical Sheet

Jemi Simply built to last

Professional Dishwashing
and Cooking Equipment

Frayers J Series Free-standing (oil only)

Selva de Mar, 122-128
08020 Barcelona, España
Tel. 0034 93 308 31 54
Fax. 0034 93 303 38 73
jemi@jemi.es
www.jemi.es

Mod. J-100 / J-100 CH

Characteristics

Externals dimensions 740 x 950 x 860 mm.

Weight 120 Kg.

Oil capacity 100 litres.

Dimensions basket J-100 Ø 725 x 195 mm.

J-100CH ----

Raiser J-100 Yes.

J-100 CH No

purifier J-100 No

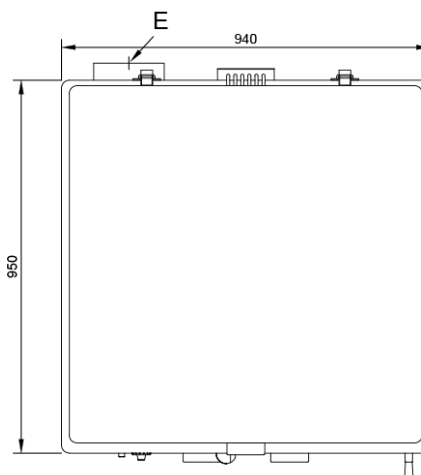
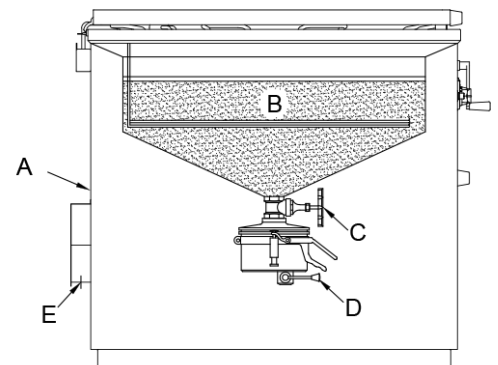
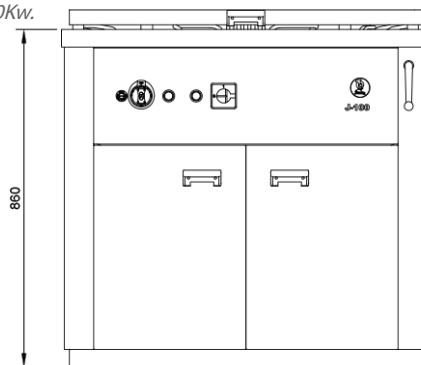
J-100 CH No

Electric inlet 230V. III + T.

400V. + T.

Power J-100 25 Kw.

J-100 CH 40Kw.



Index

- A. Characteristics plate
(Lower back)
 - B. Oil area.
 - C. Drain tap
 - D. Purifier tap
 - E. Electric inlet 230V. III + T.
400V. + T.
- Power: J-100 25 Kw.
J-100 CH 40 Kw.

