

Technical Sheet

Jemi Simply built to last

Professional Dishwashing and Cooking Equipment

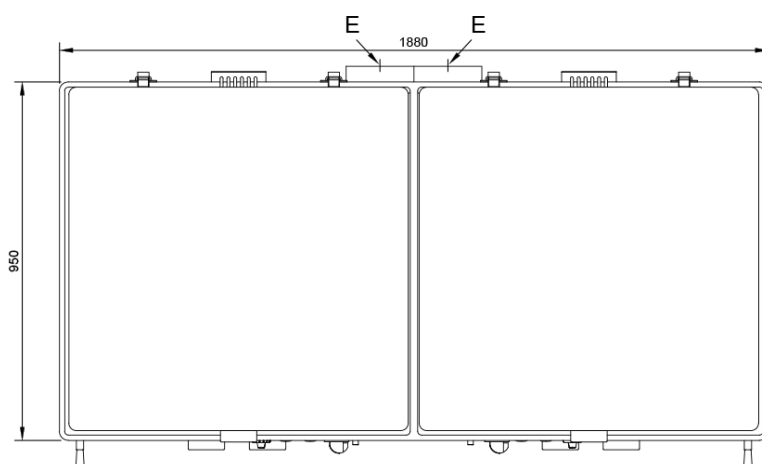
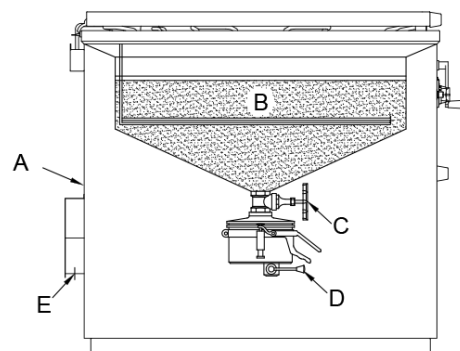
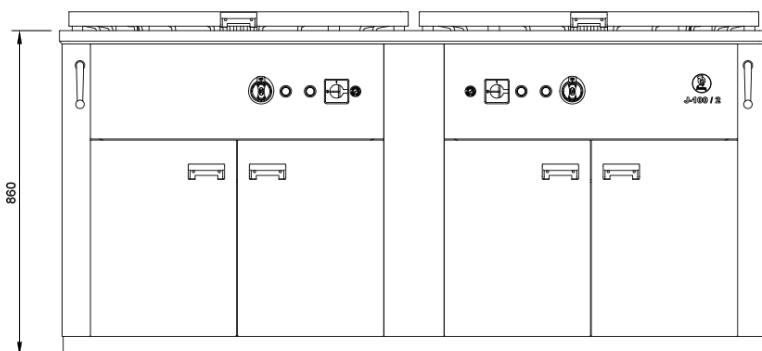
Frayers J Series Free-standing (oil only)

Selva de Mar, 122-128
08020 Barcelona, España
Tel. 0034 93 308 31 54
Fax. 0034 93 303 38 73
jemi@jemi.es
www.iemi.es

Mod. J-100/2 J-100/2 CH

Characteristics

Externals dimensions	1880 x 950 x 860 mm
Weight	220 Kg.
Oil capacity	2 x 100 litres.
Dimensions basket J-100/2	Ø 725 x 195 mm.
J-100/2 CH	----
Raiser J-100/2	Yes.
J-100/2 CH	No
purifier J-100/2	No.
J-100/2 CH	No
Electric inlet	230V. III + T. 400V. + T.
Power J-100/2	2 x 25 Kw.
J-100/2 CH	2 x 40Kw.



Index

- A. Characteristics plate
(Lower back)
 - B. Oil area.
 - C. Drain tap
 - D. Purifier tap
 - E. Electric inlet 230V. III + T.
400V. + T.
- Power: J-100/2 2 x 25 Kw.
J-100/2 CH 2 x 40 Kw.

