

Technical Sheet

Frayers J Series Free-standing (oil only)

Jemi Simply built to last

Professional Dishwashing
and Cooking Equipment

Selva de Mar, 122-128
08020 Barcelona, España
Tel. 0034 93 308 31 54
Fax. 0034 93 303 38 73
jemi@jemi.es
www.jemi.es

Mod. J-15 / J-15 GP

Characteristics

Externals dimensions 430 x 480 x 860 mm.

Weight 45 Kg.

Oil capacity 15 litres.

Dimensions basket \varnothing 310 x 140 mm.

Raiser Yes.

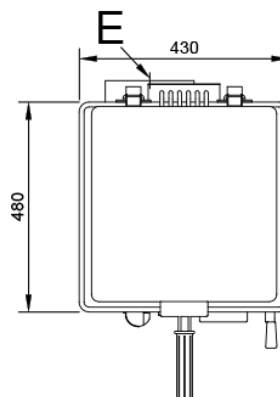
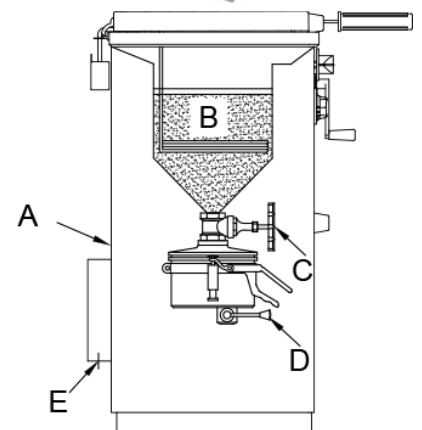
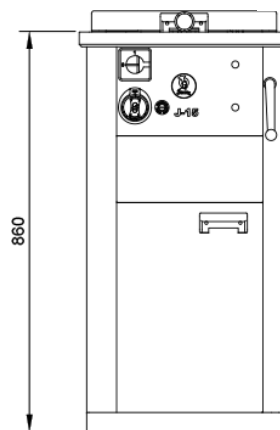
purifier Yes.

Electric inlet 230V. III + T.

400V. + T.

J-15 Power 5 Kw.

J-15GP Power 8 Kw.



Index

- A. Characteristics plate
(Lower back)
- B. Oil area.
- C. Drain tap
- D. Purifier tap
- E. Electric inlet 230V. III + T.
400V. + T.

Power: J-15 5 Kw.

J-15 GP 8 Kw.

