

Technical Sheet

Frayers J Series Free-standing (oil only)

Jemi Simply built to last

Professional Dishwashing
and Cooking Equipment

Selva de Mar, 122-128
08020 Barcelona, España
Tel. 0034 93 308 31 54
Fax. 0034 93 303 38 73
jemi@jemi.es
www.jemi.es

Mod. J-30 / J-30 GP

Characteristics

Externals dimensions 530 x 590 x 860 mm.

Weight 60 Kg.

Oil capacity 30 litres.

Dimensions basket \varnothing 400 x 165 mm.

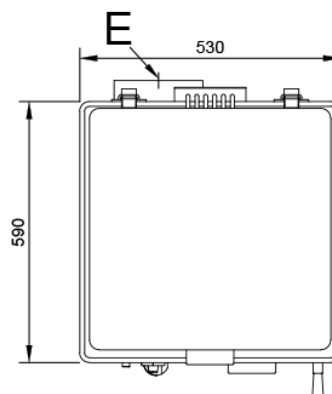
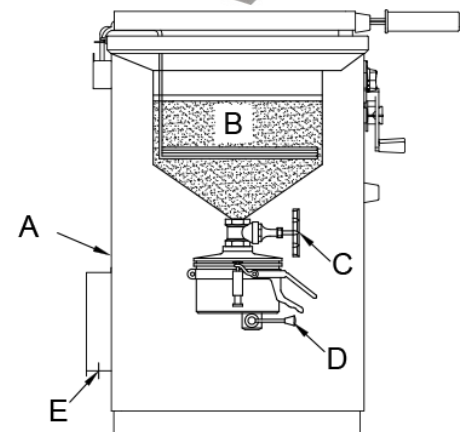
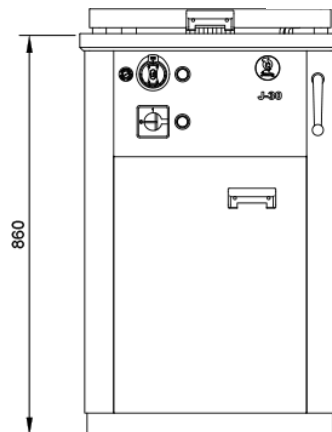
Raiser Yes.

purifier Yes.

Electric inlet 230V. III + T.
400V. + T.

J-30 Power 9,5 Kw.

J-30GP Power 15 Kw.



Index

- A. Characteristics plate
(Lower back)
- B. Oil area.
- C. Drain tap
- D. Purifier tap
- E. Electric inlet 230V. III + T.
400V. + T.

Power: J-30 9,5 Kw.

J-30 GP 15 Kw.

