

# Technical Sheet

**Jemi** Simply built to last

Professional Dishwashing and Cooking Equipment

## Frayers J Series Free-standing (oil only)

Selva de Mar, 122-128  
08020 Barcelona, España  
Tel. 0034 93 308 31 54  
Fax. 0034 93 303 38 73  
jemi@jemi.es  
www.jemi.es

### Mod. J-30/2 J-30/2 GP

#### Characteristics

Externals dimensions 1080 x 590 x 860 mm.

Weight 100 Kg.

Oil capacity 2 x 30 litres.

Dimensions basket 0 400 x 165 mm.

Raiser Yes.

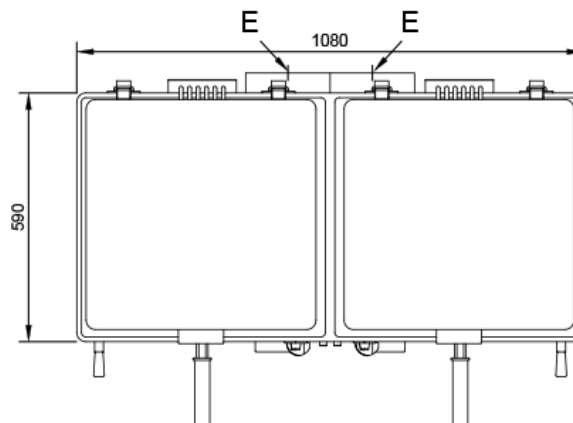
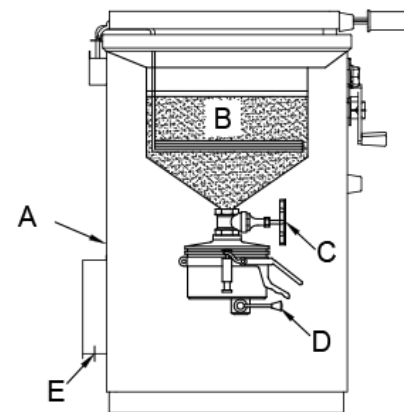
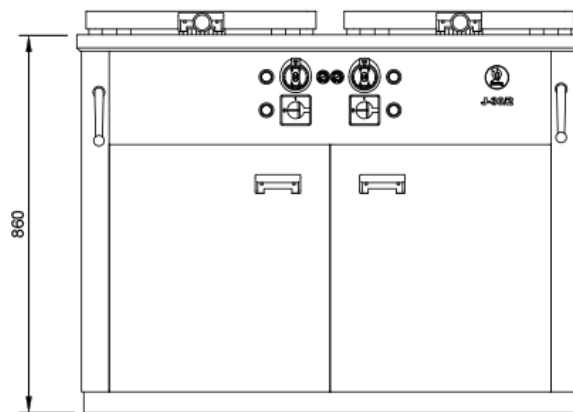
purifier Yes.

Electric inlet 230V. III + T.

400V. + T.

J-30/2 Power 2 x 9,5 Kw.

J-30/2 GP Power 2 x 15 Kw.



#### Index

A. Characteristics plate  
(Lower back)

B. Oil area.

C. Drain tap

D. Purifier tap

E. Electric inlet 230V. III + T.

400V. + T.

Power: J-30/2 2 x 9,5 Kw.

J-30/2 GP 2 x 15 Kw.

