

Technical Sheet

Frayers J Series Free-standing (oil only)

Selva de Mar, 122-128
08020 Barcelona, España
Tel. 0034 93 308 31 54
Fax. 0034 93 303 38 73
jemi@jemi.es
www.iemi.es

Mod. J-50

Characteristics

Externals dimensions 640 x 730 x 860 mm.

Weight 75 Kg.

Oil capacity 50 litres.

Dimensions basket 0 530 x 170 mm.

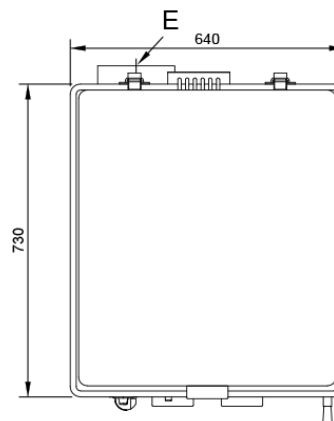
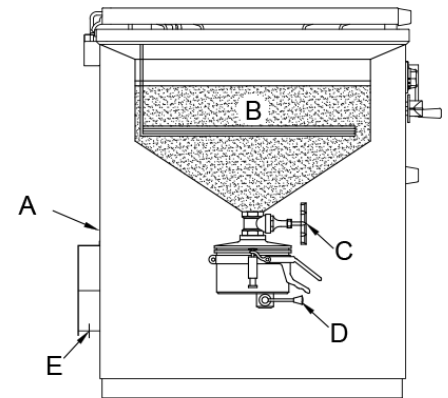
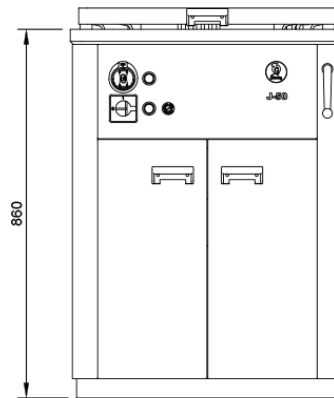
Raiser Yes.

purifier Yes.

Electric inlet 230V. III + T.

400V. + T.

Power 15 Kw.



Index

- A. Characteristics plate
(Lower back)
 - B. Oil area.
 - C. Drain tap
 - D. Purifier tap
 - E. Electric inlet 230V. III + T.
400V. + T.
- Power: 15 Kw.

