

Technical Sheet

Frayers J Series Tabletop (oil only)

Jemi Simply
built to last

Professional Dishwashing
and Cooking Equipment

Selva de Mar, 122-128
08020 Barcelona, España
Tel. 0034 93 308 31 54
Fax. 0034 93 303 38 73
jemi@jemi.es
www.jemi.es

Mod. J-7/2 // J-7/2 GP

Characteristics

Externals dimensions 700 x 530 x 430 mm.

Weight 32 Kg.

Oil capacity 2 x 7 litres.

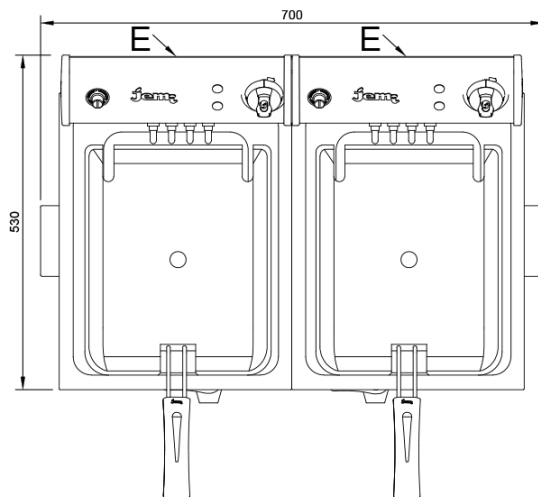
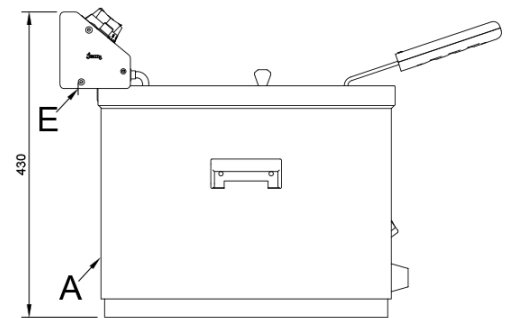
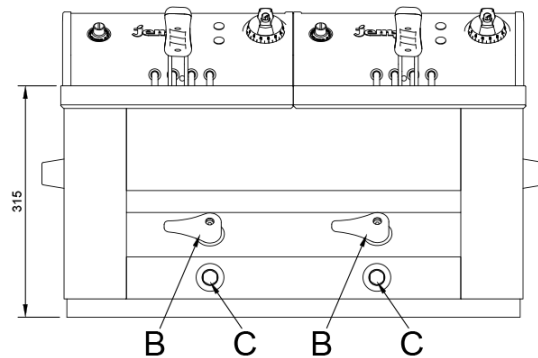
Dimensions basket 180 x 250 x 105 mm.

Electric inlet J-7/2 230V. II.

Electric inlet J-7/2 GP 230V. III
400V. III

Power J-7/2 2 x 3,5 Kw.

Power J-7/2 GP 2 x 5 Kw.



Index

- A. Characteristics plate
(Lower back)
- B. Drained tap.
- C. Drain
- E Electric inlet: J-7/2 230V. II
J-7/2 GP 230V. III
400V. III

Power: J-7 2 x 3,5 Kw.
J-7/2 GP 2 x 5 Kw.

