

Technical Sheet

Jemi Simply built to last

Professional Dishwashing and Cooking Equipment

Cookers 900 Series EV Gas Boiling Pans

Selva de Mar, 122-128
08020 Barcelona, España
Tel. 0034 93 308 31 54
Fax. 0034 93 303 38 73
jemi@jemi.es
www.jemi.es

Mod. MAG150I EV

Characteristics

External dimensions 800 x 900 x 850 mm.

Weight 145 Kg.

Gas consumption Hi (15°C 1013,25 mbar)

Natural gas H G20 Hi = 34.02 Mj / m³ 2

G.P.L. G30 / G31 Hi = 45.65M / kg 1,88

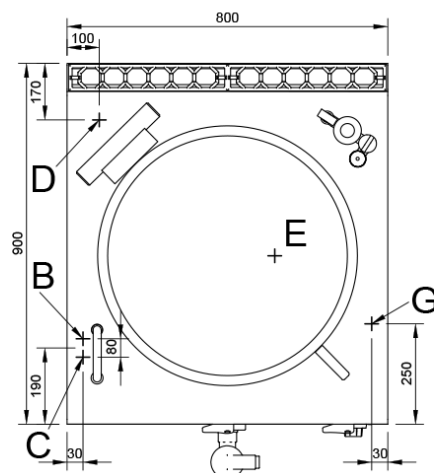
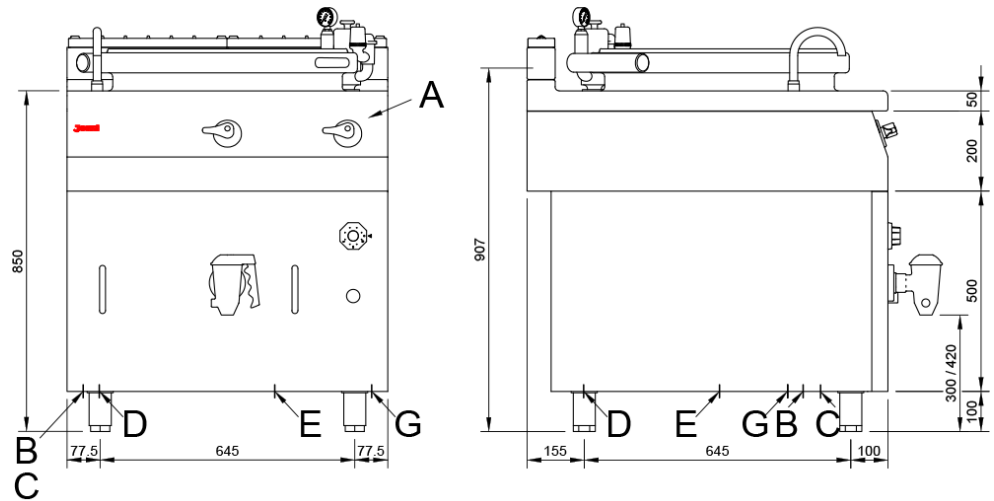
Tank capacity 150 litres

Tank dimensions ø 600X540 mm.

Type of heat Indirect heat

Gas inlet 1/2"

Nominal power 24 Kw.



Index

- A. Characteristics plate (Inside panel)
 - B. Hot water inlet (1/2").
 - C. Cold water inlet (1/2").
 - D. Overflow drain.
 - E. Drain.
 - G. Gas inlet 1/2"
- Power: 24 Kw.
Kcal./h. 20.640

