

# Technical Sheet

## Cookers 750 Series EV Electric Boiling Pans

**Jemi** Simply built to last

Professional Dishwashing  
and Cooking Equipment

Selva de Mar, 122-128  
08020 Barcelona, España  
Tel. 0034 93 308 31 54  
Fax. 0034 93 303 38 73  
jemi@jemi.es  
www.jemi.es

### Mod. MAGE50I EV

#### Characteristics

External dimensions 800 x 750 x 850 mm.

Weight 119 Kg.

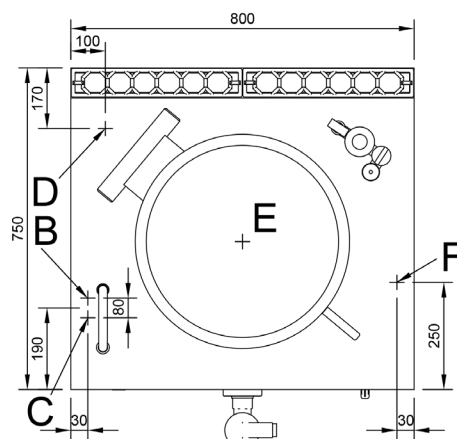
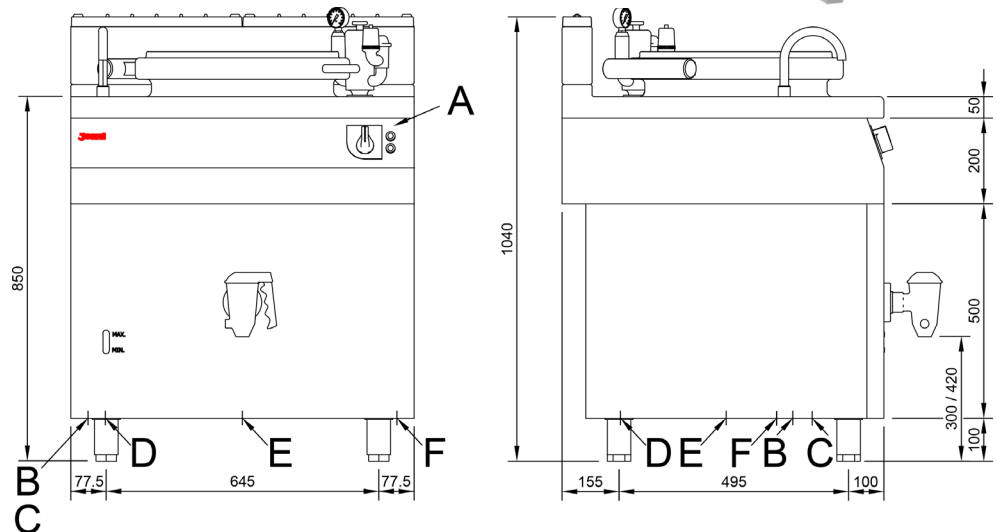
Tank capacity 50 litres

Tank dimensions  $\varnothing$  395 x 440 mm.

Type of heat Indirect heat

Electric inlet 400V. + N + T

power 6 Kw.



#### Index

- A. Characteristics plate (Inside panel)
- B. Hot water inlet (1/2").
- C. Cold water inlet (1/2").
- D. Overflow drain.
- E. Drain.
- F. Electric inlet: 400V. + N + T.  
Power: 6 Kw.

